

# **ISLAND RANGE HOOD**


**USER MANUAL**

**READ AND SAVE THESE INSTRUCTIONS MANUAL**

## Table of Contents

---

Technical Characteristics.....	2
Body Size.....	2
Safety Information.....	3
Pre-Installation	
Tools/Materials Required.....	4
Package Contents.....	5
Hardware Included.....	5
Planning Installation.....	6
Preparation.....	6
Installation.....	9
Charcoal Filter Installation.....	12
Operation.....	12
Maintenance.....	13
Care and Cleaning.....	14
Troubleshooting.....	15
Specifications.....	16
Wiring diagram.....	16

Please note that this product is marked with this symbol:  According to Waste of Electrical and Electronic Equipment(WEEE) directive, WEEE should be separately collected and treated. If at any time in future you need to dispose of this product, Please do NOT dispose of this product with house hold waste. Please send this product to WEEE collecting points where available.

## Technical Characteristics

Model No.: RH668I(30"),RH668I(36")

Size: 750,900

Total power: 323W

Motor Power:315W

LED Lights:4x2W

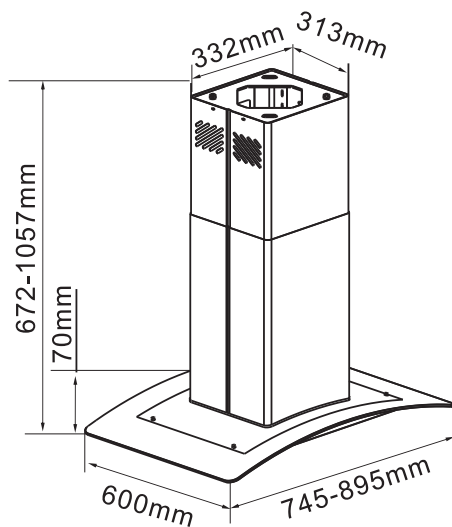
Voltage:120V

Frequency:60Hz

Filter: Aluminium Filter

Control: Touch Control

## Body Size



## Safety Information

### Read and save these instructions

**Warning**-To reduce the risk of fire, electric shock, or injury to persons, observe the following:

1. Use this unit only in the manner intended by the manufacturer. If you have any questions, contact the manufacturer.
2. Before servicing or cleaning unit, switch power off at service panel and lock service disconnecting means to prevent power from being switched on accidentally. When the service disconnecting means cannot be locked, securely fasten a prominent warning device, such as a tag, to the service panel.
3. Installation work and electrical wiring must be done by qualified person(s) in accordance with all applicable codes and standards, including fire-rated construction.
4. Sufficient air is needed for proper combustion and exhausting of gases through the flue (chimney) of fuel burning equipment to prevent back drafting. Follow the heating equipment seller's guideline and safety standards such as those published by the National Fire Protection Association(NFPA), and the American Society for Heating, Refrigeration and Air Conditioning Engineers(ASHRAE),and the local code authorities.
5. When cutting or drilling into a wall or ceiling, do not damage electrical wiring and other hidden utilities.
6. Ducted fans must always be vented to the outdoors.

### COOKING SAFETY INFORMATION

1. Never leave the range hood unattended when in use.
2. Never cook over open flames under the range hood.
3. Always turn the range hood on when cooking at high heat or when cooking flaming foods.
4. If you choose to hang the range hood as below (Fig.1) distance(D) from the cooktop surface, use extra caution as the surface of range hood may be extremely hot to the touch. For this unit, (D in Fig.1) is 650mm-700mm(25.6 in- 27.6 in).
5. Use caution when cooking with oil or with deep-fryers. Overheating may cause oil to reach its flash point and ignite. Used oil will ignite at lower temperatures than fresh oil. Heat oils slowly on low to medium setting.
6. Avoid boil overs, as they may cause smoking and greasy spillovers that could ignite.
7. To prevent burns or fires, always use cookware appropriate to the size of the heating element that you are using.

**DANGER:** Turn off the power circuit breaker or the power switch on the junction box before installing or servicing this unit. Touching circuitry inside the range hood while it is energized will result in death or serious injury.

**DANGER:** All electrical wiring must be properly installed, insulated, and grounded. Improper insulation and grounding will result in deadly electrical shock.

**DANGER:** If installing this unit over a gas range, turn off the gas at the source before installing or servicing this unit.

**WARNING:** Attempting to install or service this unit when you do not have the necessary technical or electrical background could result in personal injury.

**WARNING:** The unit has sharp edges. Always wear safety gloves during installation, cleaning, or servicing.

**WARNING:** Always leave safety grills and filters in place. Without these components, operating fans could catch on to hair, fingers, or loose clothing.

**WARNING:** Stay clear of the rotating fan when the motor is running.

**WARNING:** Keep this appliance clean and free of grease and residue build-up at all times to prevent fires.

**CAUTION:** This device is for general ventilating use only. Do not use to exhaust hazardous or explosive materials and vapors.

**WARNING:** To reduce the risk of fire, use only metal duct work. Never use plastic duct work.

**WARNING:** To reduce the risk of fire or electric shock, do not use this range hood with any external solid state speed control device.

**CAUTION:** For general ventilation use only. Do not use the range hood fans to exhaust hazardous or explosive vapours.

**CAUTION:** Never dispose of cigarette ashes, ignitable substances, or any foreign objects in fans.

## Safety Information

8. In event of a cooking fire, observe the following:
- Be careful to avoid burns.
  - Smother flames with a close-fitting lid, cookie sheet, or metal tray, then turn off the burner. If the flames do not go out immediately, evacuate and call the fire department.
  - Never pick up a flaming pan.
  - Do not use water, including wet dishcloths or towels, as you could cause a steam explosion.
  - Use an extinguisher only if: (a) you have a class ABC extinguisher and you know how to operate it, (b) the fire is small and contained in the area where it started, (c) the fire department is being called, and (d) you can fight the fire with your back to the exit.



**CAUTION:** At least two people are needed to move and safely install the unit. Failure to properly lift the range hood could result in product damage or personal injury.

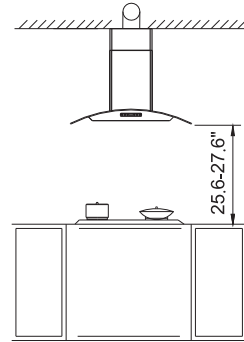


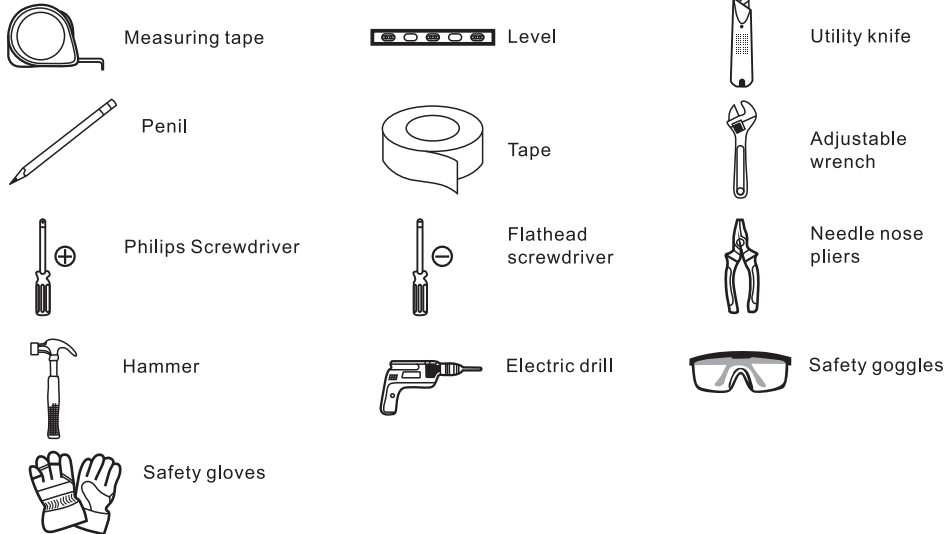
Fig.1

## CLEANING SAFETY INFORMATION

1. The fan and filters must be cleaned periodically and kept free from accumulation of cooking residue. Old and worn filters must be replaced immediately.
2. Never disassemble parts to clean. Parts should be disassembled by qualified persons only.

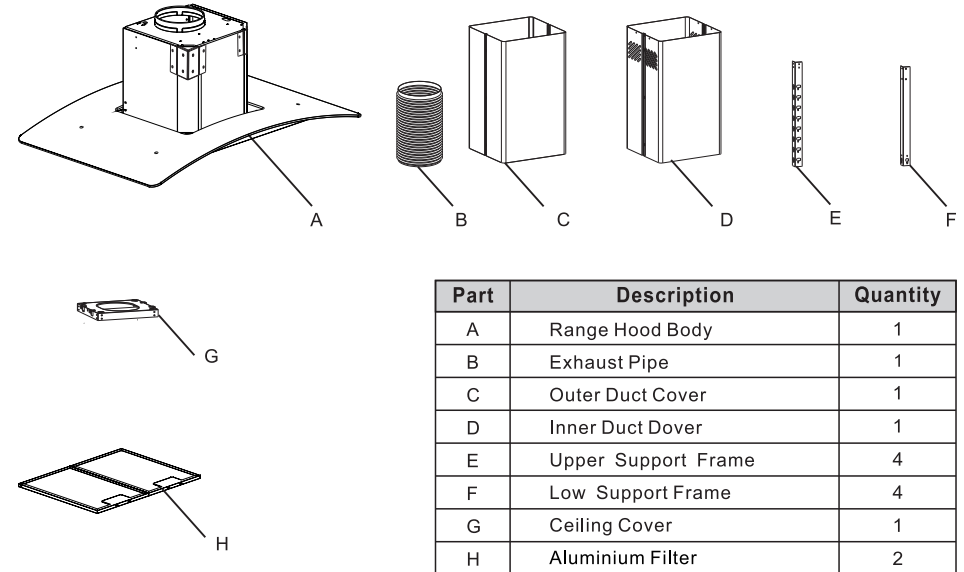
## Pre-Installation

### Tools/Materials Required (not supplied)



## Pre-Installation

### Package Contents

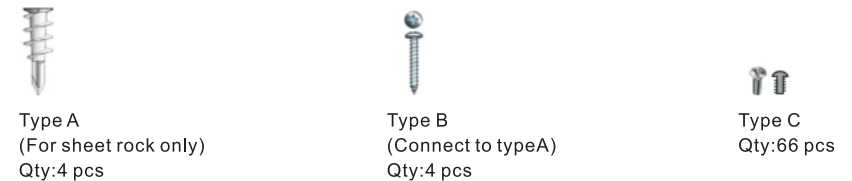


Part	Description	Quantity
A	Range Hood Body	1
B	Exhaust Pipe	1
C	Outer Duct Cover	1
D	Inner Duct Dover	1
E	Upper Support Frame	4
F	Low Support Frame	4
G	Ceiling Cover	1
H	Aluminium Filter	2

### Hardware Included

**NOTE:**

Parts not shown to actual size



Part	Description	Quantity
A	Length: 1-3/5"	4
B	Length: 1-3/10"	4
C	Length: 1/2"	66

## Pre-Installation

### Planning Installation

#### Number of people required: 2 or more

Carefully check the range hood for damage and for missing parts prior to installation. If there is any damage or if you are missing parts, do not proceed with the installation. Report damage and missing parts immediately. Do not dispose of packaging before you are satisfied with your new range hood.

1. Before installation, measure all distances to ensure the proper position of the range hood (A).
  - The distance (1) from the cooking surface to the range hood must be at least 650mm (25.6 in). For the best performance, do not install the range hood more than 700mm (27.6 in) above the cooking surface.
  - Dimension (2) should be at least 750mm (29.5 in) / 900mm (35.4 in). The range hood should be approximately the same size as the cook top.
2. Put a thick, protective covering over your counter, cooktop, or range to protect it from damage and dirt during installation. Remove any hazardous objects around the area.

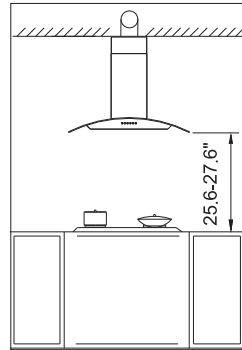
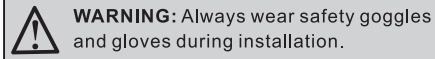


Fig.2

## Preparation

### Advanced Preparations

- Be familiar with the controls of the range hood by reading through Range Hood Installation.
- Place the range hood on a flat, stable surface. Connect the range hood to a designated standard outlet (120V~60Hz. AC only) and turn on the range hood. Verify all operations of the range hood by referring to Range Hood Installation.
- Place all supplied parts and required hardware on a flat, stable surface and verify the existence of all supplied parts listed on Page 5.
- Carefully remove the white plastic protective coat from the range hood.

### Preparations

#### **NOTE:** To avoid damage to your hood, prevent debris from entering the vent opening.

- Decide the location of the venting pipe from the hood to the outside, if need.
- A straight, short vent run will allow the hood to perform more efficiently.
- Try to avoid as many transitions, elbows, and long run as possible. This may reduce the performance of the hood.
- **IMPORTANT:** Peel plastic protective coat off the hood, if any.
- Use silver tape or duct tape to seal joints between pipe sections.
- Using references in Measurements and Diagrams on Page 2, create access opening for electrical wires and hood exhaust under the cabinet.

**CAUTION:** If moving the cooking range is necessary to install the hood, turn OFF the power on an electric range at the main electrical box. SHUT OFF THE GAS BEFORE MOVING A GAS RANGE.

## Preparation

### Follow these guidelines when installing duct work:

#### For outside venting system

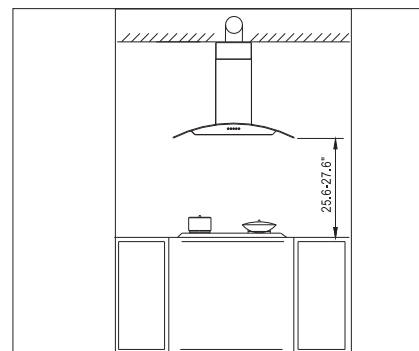
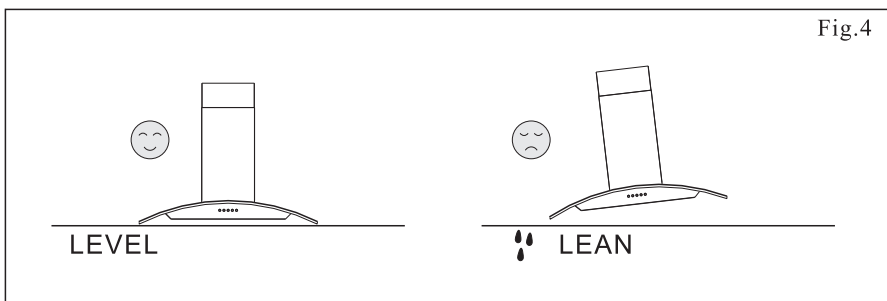
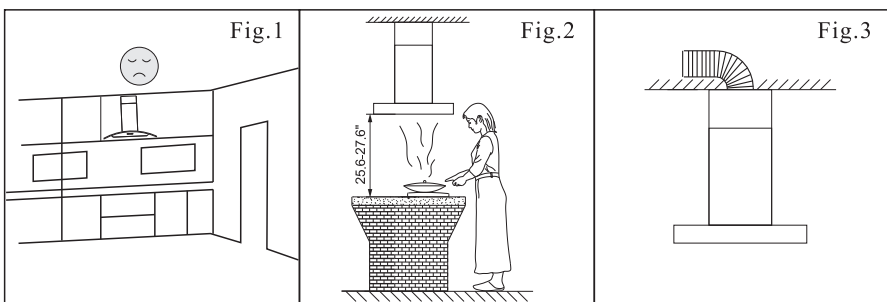
- Your venting system can vent to the outdoors vertically through the roof. In a mode of external venting system, the hood by means of the offered hose or an exhaust pipe is connected to the air outlet, and, thus, all kitchen evaporations, smells, ashes and a soot, passing through reusable aluminium filters to outside. At this operating mode there is no necessity to use charcoal filter. This type mode is the most effective as the extract all kitchen evaporations, smells etc.
- Use round metal duct work with a uniform diameter of 153mm (6 in). The total duct run in the venting system should be not more than 10.7m (35ft).
- Fasten all connections between pieces of duct with sheet metal screws and tape all joints with certified duct tape.

#### For inside venting system (air does not exhaust to outdoors):

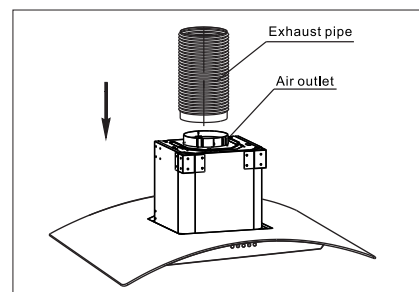
The air will be exhausted through the charcoal filter and out from the holes of duct cover. In a mode inside venting system, the hood is not use exhaust pipe connected to air outlet, and, thus, air is simply banished through an carbon filter in the range hood. The charcoal filters are not included into the range hood, you need purchase individually from the seller. Range hood use in a mode inside venting system reduces its productivity. We recommend to use an range hood in a mode of type of outside venting system.

**INSTALLATION REQUIREMENT**

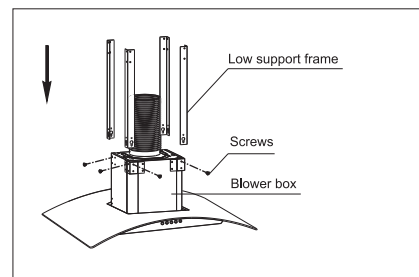
1. Do not install the range hood where there are many doors or windows in order to avoid effecting the exhaust efficiency of the hood caused by air convection. (Fig. 1)
2. Install the range hood right above the hob. The recommended distance between the hob and the lower edge of the range hood is minimum 25.6" and maximum 27.6". (Fig. 2)
3. In order to get the optimum performance, do not elongate the exhaust pipe too long, and try to make the bend of exhaust pipe less and biggest, ensure the connection is airproof.(Fig. 3)
4. After hanging the unit on the wall, ensure the hood is level and vertical.(Fig. 4)
5. The air outlet must not be connected to chimney flues or combustion gas ducts. The air outlet must under no circumstances be connected to ventilation ducts for room in which fuel-burning appliances are installed.



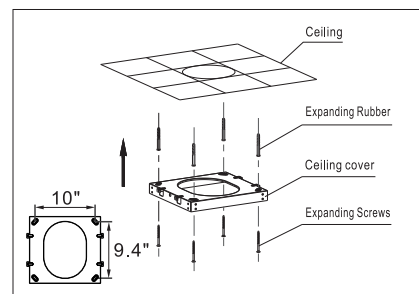
Step 1:  
Fix the position of the range hood in accordance with the recommended height between 25.6-27.6" from the hob and the lower edge of the hood.



Step 2:  
Take out of the range hood from the carton and put it on a horizontal work table gently. Fix the exhaust pipe into the air outlet with 2pcs screws, use silver tape or duct tape to seal joints between pipe sections, make sure is connected tightly, like the Fig.  
If use inside venting system, skip this step.

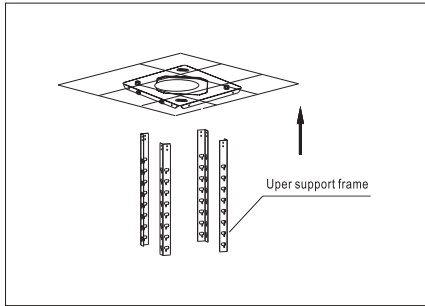


Step 3:  
Aiming the low support frame to the holes on the blower box, use 4 pcs M4X10 screws to fix the each low support frame (total 4pcs) to the blower box, like this Fig.

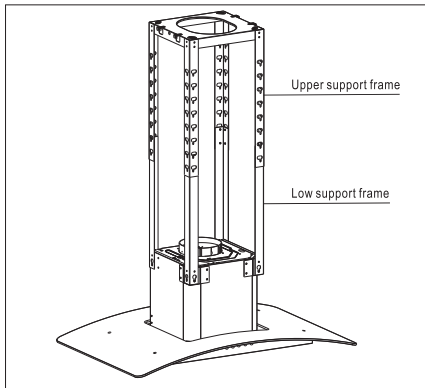


Step 4:  
As per the screw positions on the Upper support frame, drill 4 holes(about  $\phi 8$  mm), then fill the expanding rubber into the holes. Aiming the holes on the ceiling, fix the ceiling cover with the expanding screws to the ceiling and make sure it is firm.

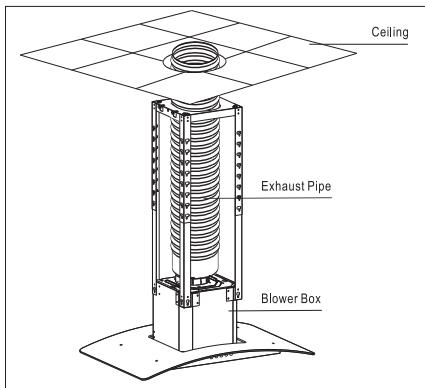
## Installation



**Step 5:**  
Put upper support frame under the ceiling cover. Use 4 pcs M4X10 screws to fit the each upper support to the ceiling cover, like this Fig.

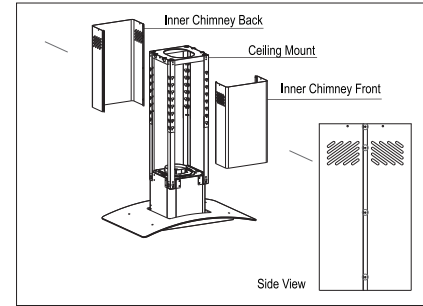


**Step 6:**  
Shift the complete range hood to make the low support frame cover the upper support frame, adjust its height to the position which you marked. Fix it with 4 pcs M4x10 screws of each frame and make sure it is firm, like this Fig.

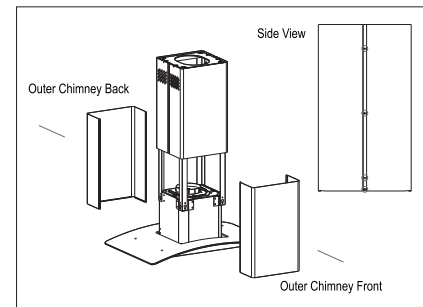


**Step 7:**  
Extend exhaust pipe from the blower box to the ceiling through the ceiling cover and connect to the existing duct work, like the Fig.

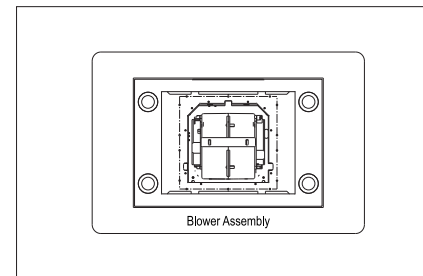
## Installation



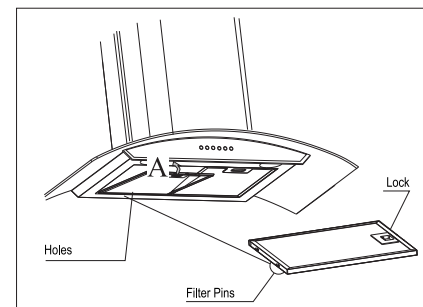
**Step 8:**  
Take the back piece of the Inner Chimney, align and securely screw into the sides of the Ceiling mount. Now take the front piece of the Inner Chimney, align and securely screw into the sides of the Ceiling mount. Now screw the Back of the Inner Chimney and the Front of the Inner Chimney together on each side (where they meet).



**Step 9:**  
Take the Back of the Outer Chimney and the Front of the Outer Chimney and screw them together as shown in the picture. Now screw the Back of the Outer Chimney and the Front of the Outer Chimney together on each side (where they meet).

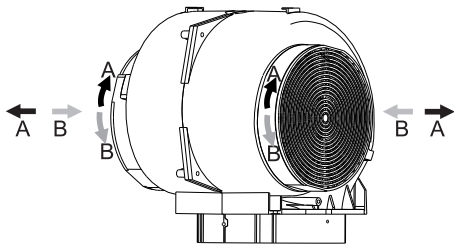


**Step 10:**  
Remove Filters to access the bottom of the Blower Assembly. From the bottom of the Island Range Hood, secure the Outer Chimney (Back and Front Pieces) by screwing them into the Blower Assembly.



**Step 11:**  
Reinstall the Baffle Filters. Align the filter pins with the holes under the range hood. Gently pull on filter lock. Put the filter in place and release lock.

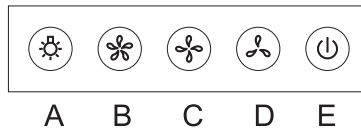
## Charcoal Filter Installation



1. The charcoal filters are not supplied together with the unit, you need buy from the seller. Follow the direction of B and fix on the designer hood motor assembly.
2. To remove the charcoal filter, follow the direction A and remove accordingly.

## Operation

### How to use touch control



- A: Press button A to turn on the light. Press it again to turn off the light.  
 B: Press button B, the fan runs at high speed, press it again to turn off the fan.  
 C: Press button C, the fan runs at medium speed, press it again to turn off the fan.  
 D: Press button D, the fan runs at low speed, press it again to turn off the fan.  
 E: Press button E when the cooker hood is running and the hood will automatically turn off after 60 seconds; press it again to stop operation immediately.

## Maintenance

**CAUTION: NEVER PUT YOUR HAND INTO THE AREA HOUSING THE FAN WHILE THE FAN IS OPERATING. FOR THE OPTIMAL LEVEL OF OPERATION, CLEAN THE RANGE HOOD SURFACE, FAN, AND ALUMINIUM FILTER REGULARLY.**

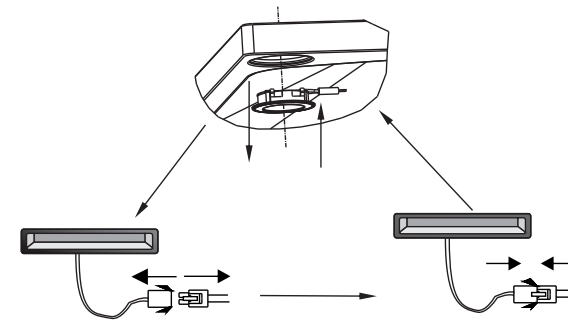
1. Use only mild soap or detergent solutions to clean the cooker hood surface. Dry surfaces using soft cloth.
2. Using a stainless steel cleaner to bring the glow back into a stainless steel finish.
3. Clean the filter once a week or according to use status. Press the buckle of the filter slightly, take off the filter wash them by Dishwasher or you can put it into warm soapy water using mild detergent, wipe the filter with soft brush. Replace the filter after it is dry.
4. Clean the motor fan and other inside parts once half year or according to user QUALIFIED PERSON.
5. DO NOT cleaning motor with water or other liquid.

## TO REPLACE LIGHT BULB

### To replace led lamp

Caution: LED lamp can not replace a new bulb, just can replace a new LED Lamp. Make sure all the control switches are off, and the cooker hood is unplugged! Please follow below instructions:

1. Take out the filters, and cut off the wire connection of the lamp.
2. Press the spring according to the arrow direction, then you can take off the lamp unit.
3. You can replace a new LED lamp unit no more than rating!
4. Then put the lamp unit to the hood in reverse direction. Connect the wire of the lamp.
5. Fit on the filters.





### Range Hood



**WARNING:** Failure to maintain basic standards of care and cleaning of the range hood will increase the risk of fire.

The range hood should be cleaned (regularly internally and externally) to preserve its appearance and performance.

#### Do:

- Always clean in the direction of the grain (original polish lines).
- Clean the range hood periodically with hot, soapy water and a clean cotton cloth.
- Always rinse well with clean water two or three times after cleaning, Wipe completely dry with a soft non-abrasive cloth.
- After cleaning, you may polish with a non-abrasive stainless steel polish or cleaner. Always rub lightly and with the grain.
- Ensure that the venting system is free of debris, if you have one.

#### Do Not:

- Do not use corrosive or abrasive detergents, steel wool, or scouring pads. These will scratch and damage the stainless steel surface.
- Do not use any products containing chloride, fluoride, iodide, or bromide on this product, as they will deteriorate the surface rapidly.
- Do not allow cleaning compounds, Salt solutions, disinfectants, or bleaches to remain in contact with the product for extended periods of time.
- Do not allow any deposits to remain for long periods of time on the range hood. Rinse with water immediately and wipe dry with a clean cloth.
- Do not let plaster dust or any other construction residue enter the hood. During construction or renovation, cover the hood.
- Combustible products used for cleaning such as acetone, alcohol, ether or benzol are highly explosive and should never be used close to a range or stove.

### Filter

The filter fitted by the factory is intended to filter out residue and grease from cooking. You do not need to replace them on a regular basis, but you should keep them clean.

#### Do:

- Clean the filter once a month using non-abrasive detergents, either by hand or in the dishwasher. When using a dishwasher, set the dishwasher to a low temperature and a short cycle setting. The filter may become discoloured in the dishwasher, but this does not affect its performance.
- Allow filters to completely dry before re-installing them in the range hood.

#### Do Not:

- Do not allow oil to accumulate over more than 80% of the filter surface. Oil accumulations may drip oil onto the range.
- Do not wash charcoal filter. The charcoal filter should be replaced when it is covered in grease and has reached its maximum absorbency.



**DANGER:** Turn off the power circuit breaker or the power switch on the junction box before performing maintenance. Touching circuitry inside the range hood while it is energized may result in serious injury or death.

Problem	Solution
The range hood will not operate.	<ul style="list-style-type: none"> <li>- Check that the power supply cable and all electrical wiring are properly connected.</li> <li>- Check that the power is turned on at the junction box or circuit breaker.</li> <li>- Check that the wiring between the switch control and the control board are connected properly.</li> </ul>
The range hood vibrates when the fan is operating.	<ul style="list-style-type: none"> <li>- Check that the range hood has been secured properly to the wall. Tighten into position, if necessary.</li> <li>- Check that the motor is secured in place. If not, then tighten the motor in place.</li> <li>- Check that the fan is not damaged. If so, replace the fan.</li> </ul>
The fans seem weak.	<ul style="list-style-type: none"> <li>- Check that the duct size used is at least 200mm (8 in) round. The range hood will not function efficiently with insufficient duct size.</li> <li>- Check that the duct is not clogged with debris and the tight mesh on the wall cap, if applicable, isn't restricting air flow.</li> <li>- Check that the damper unit is opening properly.</li> <li>- Check that no birds or animals have nested in the duct.</li> </ul>
The lights work, but the fan is not spinning, is stuck or is rattling.	<ul style="list-style-type: none"> <li>- The thermal protection system detects if the motor is too hot to operate and shuts the motor down. In this case, the motor will function properly after the thermal protection system cools down (after approximately 10 min).</li> <li>- Check that the fan isn't jammed or scraping the bottom.</li> <li>- If nothing else works, the motor may be defective or seized. If so, replace the motor.</li> </ul>
The range hood is not venting out properly.	<ul style="list-style-type: none"> <li>- Check that no birds or animals have nested in the duct.</li> <li>- Check that the distance between the cooktop and the bottom of the range hood is between 650mm (25.6 in) and 700mm (27.6 in).</li> <li>- Check that duct work follows all requirements. Use round metal duct work with a uniform diameter of 200mm (8 in). Reduce the length of duct work and the number of elbows if necessary. Ensure that all joints are properly connected, sealed, and taped.</li> <li>- Check that the duct does not open against the wind</li> <li>- Ensure that the power is on high speed for heavy cooking.</li> <li>- Close all windows nearest to the range hood to eliminate sudden air gusts.</li> <li>- To enhance the performance of the range hood, open slightly a window on the opposite side of the house where the range hood vents outdoors.</li> </ul>
A light does not work.	<ul style="list-style-type: none"> <li>- Check to see if LED light's wire connection is loose. If so, tighten.</li> <li>- Have the new LED light (<math>\leq 2W</math>) assembly replaced.</li> </ul>

## Specifications

Model	Dimensions	Rating	Control Type	Speeds	Light Wattage	Venting Options	Motor Power	Total Power
RH668I/(30")/(36")	745mm(29.3in)/ 895mm(35.2 in)W	120V-60Hz 2.7A	Touch control	High	4x2W LED	Inside venting Outside venting	315W	323W
	600mm(23.6 in) D			Medium				
	672-1057mm (26.4-41.6 in) H			Low				

## Wiring diagram

