

# Shower Panel

## Installation and Operation Guide

---

### Caution:

Before connecting the shower panel ,please flush out the debris inside the hot and cold water pipe . Installation without flushing out the debris might reduce water pressure , and cause damage and clogging to the hose and pipe



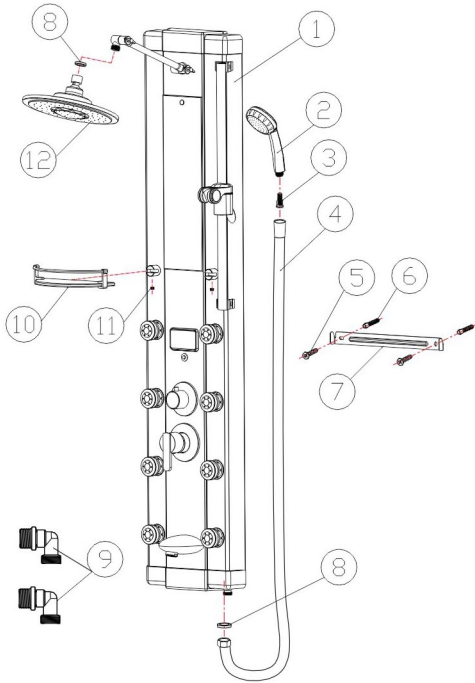
V53-33-D



42-708

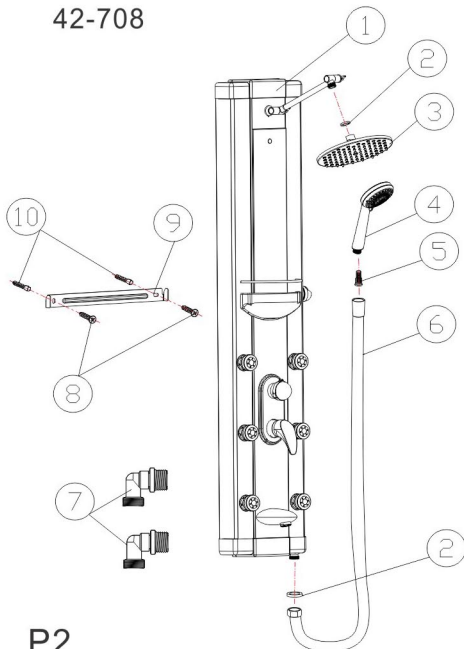
# 1.Part List

## V53-33-D



①	Shower panel Body
②	Model33 Handle Shower Head
③	Shower Head Filter
④	Shower Head Hose
⑤	M4X20 Screw
⑥	Plastic Expand Plug
⑦	Mounting Bracket
⑧	Rubber Washer
⑨	Brass Elbow (Optional Part)
⑩	Glass Shelf
⑪	M8 Screw
⑫	6023 Rainfall shower Head

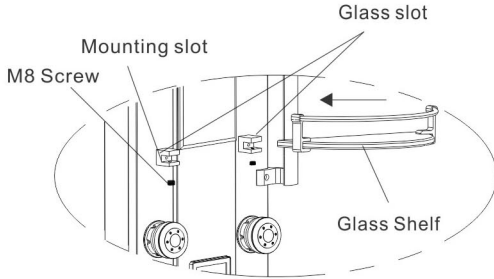
## 42-708



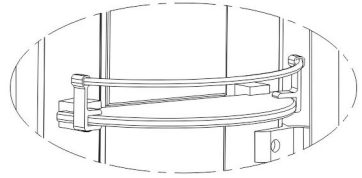
①	Shower panel Body
②	Rubber Washer
③	K05 Handle Shower Head
④	708 Handheld Shower Head
⑤	Shower Head Filter
⑥	Shower Head Hose
⑦	Brass Elbow (Optional Part)
⑧	M4X20 Screw
⑨	Mounting Bracket
⑩	Plastic Expand Plug

## 2. Install Glass Shelf

To install, first remove the cover on the glass slot. And then place the glass shelf onto the mounting slot and tighten the M8 screw with a slotted screwdriver (See picture below)

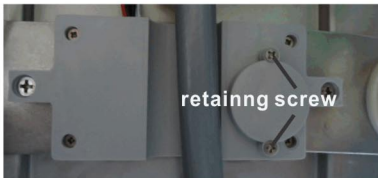
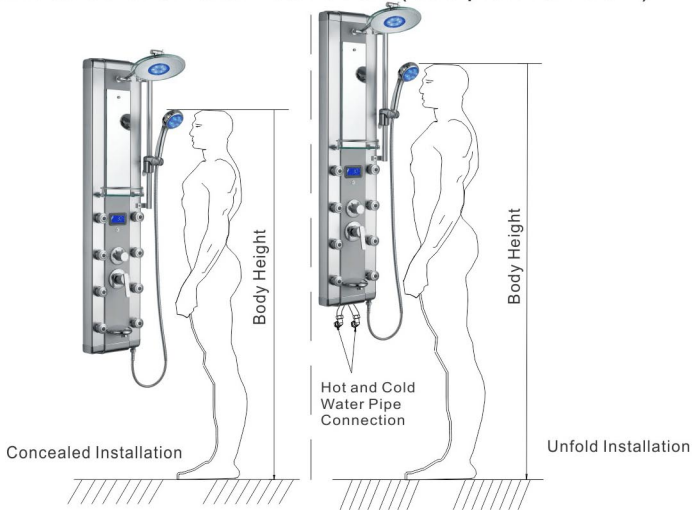


(picture 1)



After Installation  
(picture 2)

3. Based on the height of the user(s) and location of the hot/cold pipe inlet, select concealed or unfold installation. (See picture below)



Take out this two screws behind the indicator (as above)  
Take off the cover (as above)



Switch 2 to ON for Fahrenheit  
(Button 1 is for langaug)

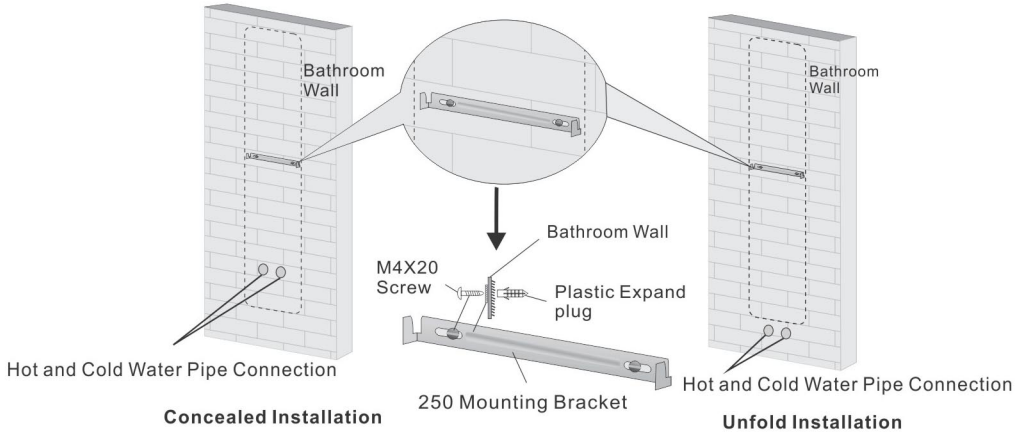


Turn off this two switches to "1" & "2"  
indicator shows .°C

\*Battery will need to be removed when switching the button  
\*\*When screwing the cover back on to the display ,please makesure not to over tight the screw ,or it might break the cover

#### 4. Installing the mounting bracket :

Base on the height you want to install the shower panel, mark and drill 2 screw holes on the wall. Once the hole is drilled, put in the plastic expand plug and screw the mounting bracket onto the wall. When screwing the mounting bracket, please make sure that it is being screwed on a wood stud behind the wall in order to provide sufficient strength to hold the shower panel.



#### 5. Connecting and Hanging of Shower Panel Body

Before connecting, please switch on water supply to flush out the debris (i.e. rust and small particle) inside the water pipe. Failure to do so might cause hoses to be clogged. To install, use Telfon Tape to wrap around the fitting of the water pipe, insert a rubber washer with mesh onto the hoses, and simply connect the 1/2 "hoses with a 1/2" pipe fitting. After connection is done, switch on the water to make sure no leaking occurs. To mount the shower panel, screw the mounting bracket onto the wall, and simply mount the shower panel onto the mounting bracket. When screwing the mounting bracket, please make sure that it is being screwed on a wood stud behind the wall to provide sufficient strength to hold the shower panel. (See Picture Below)

