

SPS822 / SPS824

INSTALLATION GUIDE

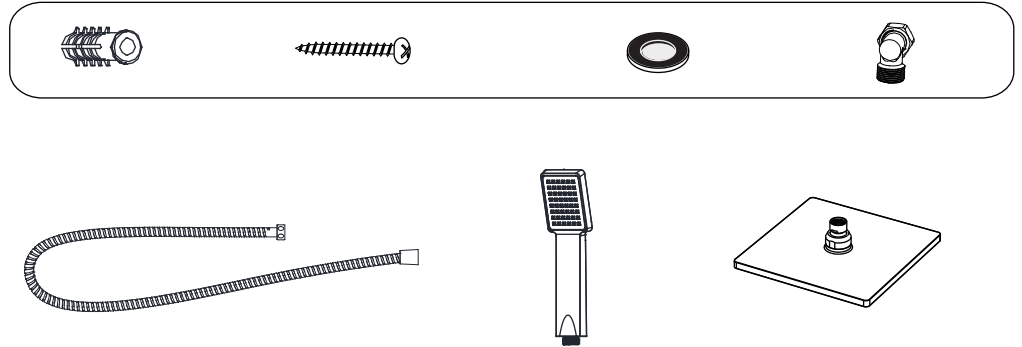


BLUE OCEAN[®]

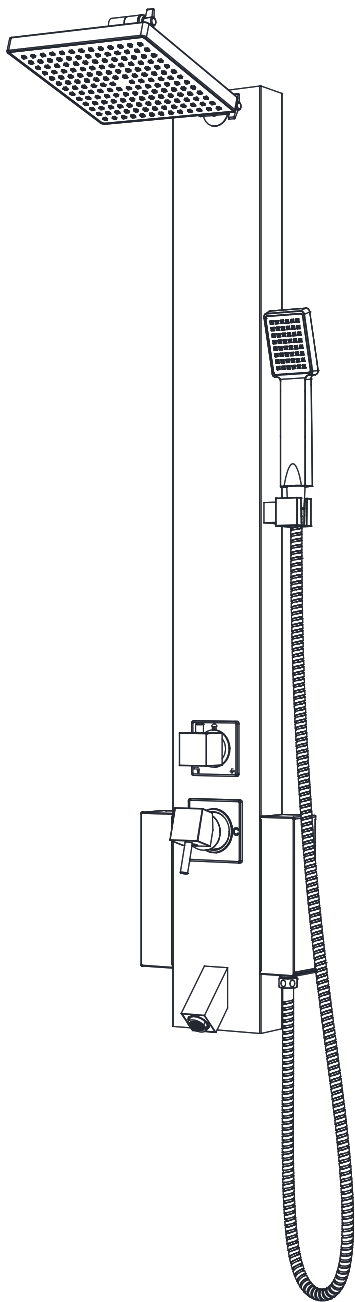
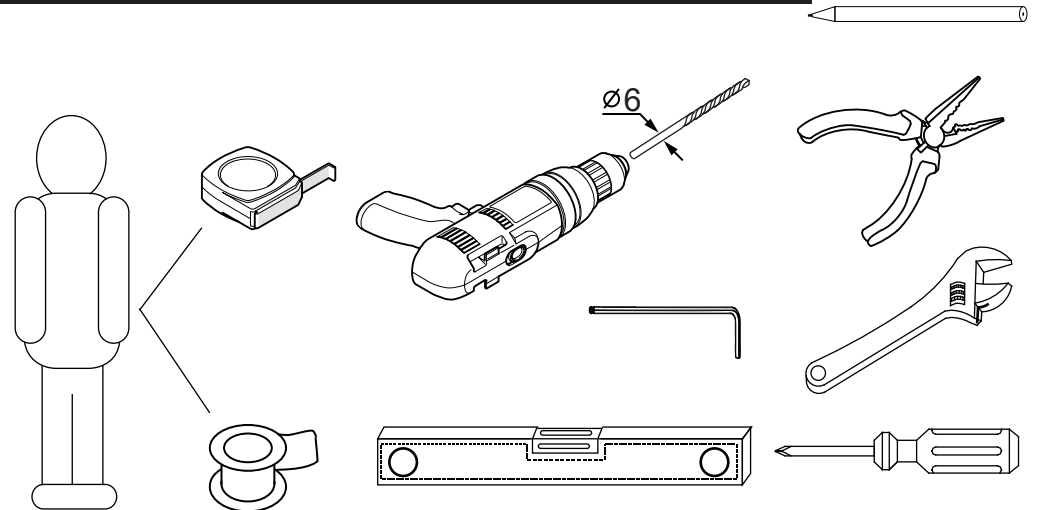
SPS822 / SPS824 INSTALLATION GUIDE

Parts List

Please unpack and inspect all packages and components carefully, and make sure they are complete. Examine for shipping damage. If some parts are damaged or missing, notify your dealer immediately.

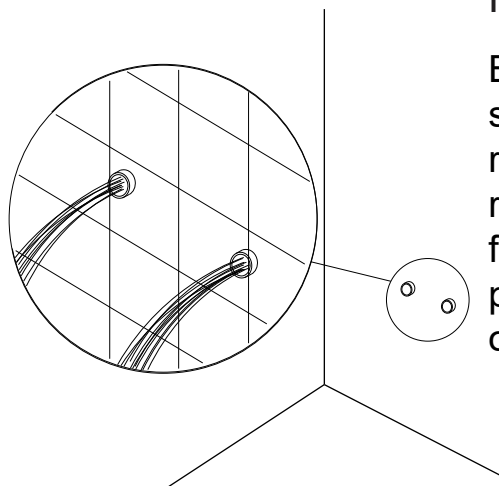


For Installation You may Require the Following Tools

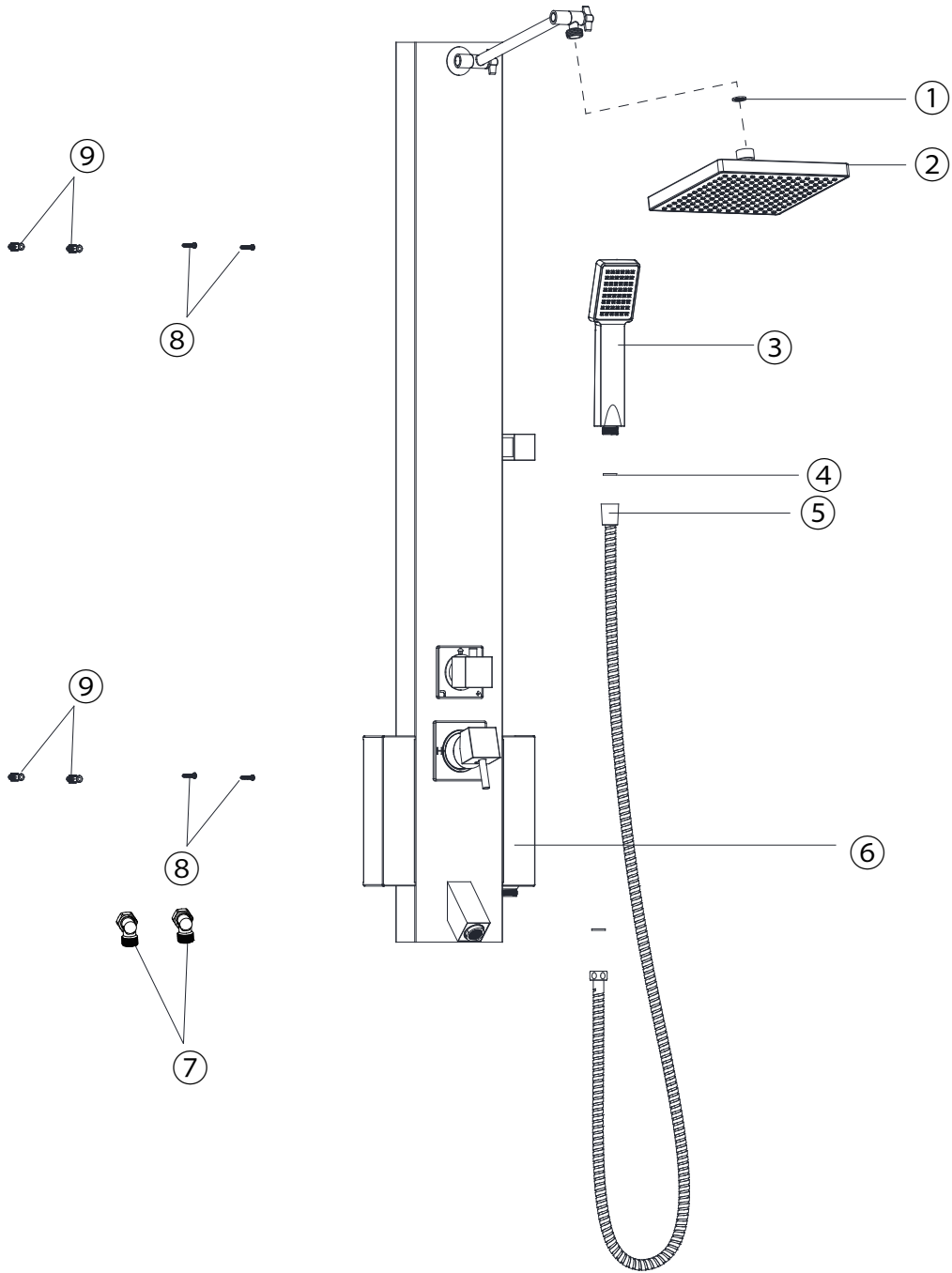


Note!

Before assembly, flush the water supply pipes thoroughly to remove debris (allow the water to run with the main stopcock open for about 3 mins), otherwise dirt particles might affect the function of the shower panel!

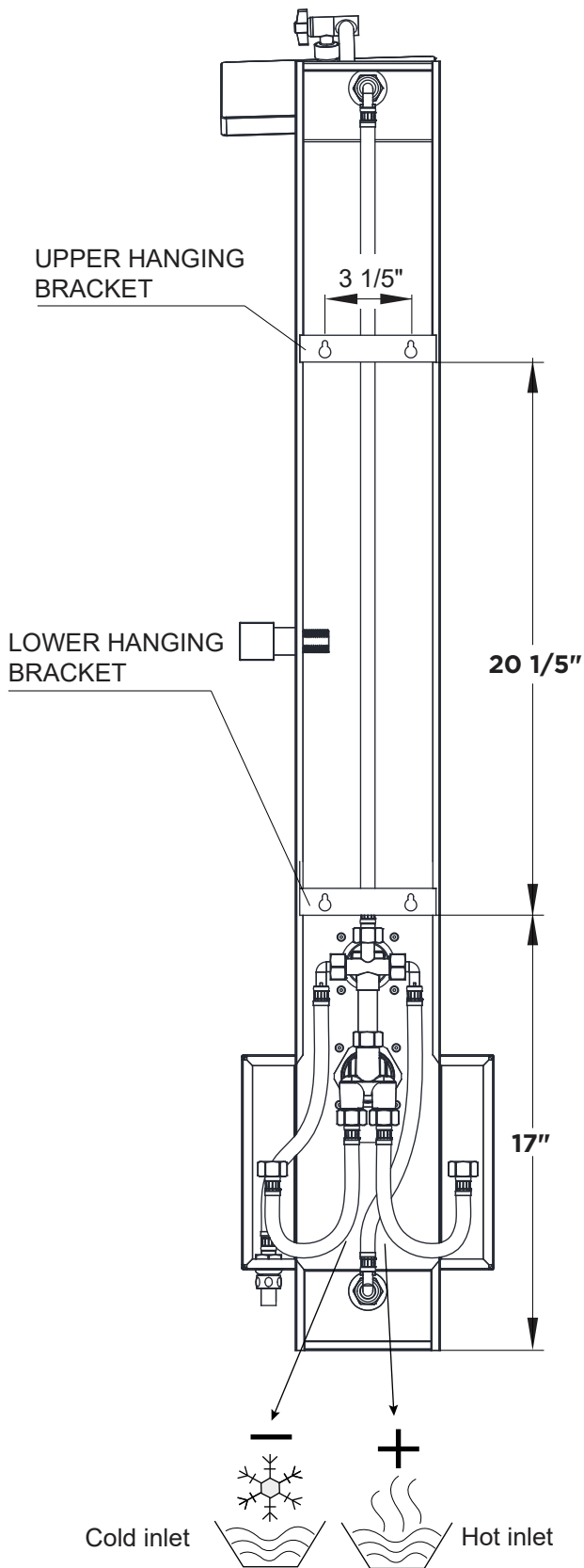


SPS822 / SPS824



①	Shower Head Filter	⑥	Shower Panel Body
②	Top shower	⑦	Brass Elbow(Optional Part)
③	Hand Shower	⑧	M 4X 30 Screws
④	Rubber Washer	⑨	Plastic Expand Plug
⑤	Shower Hose		

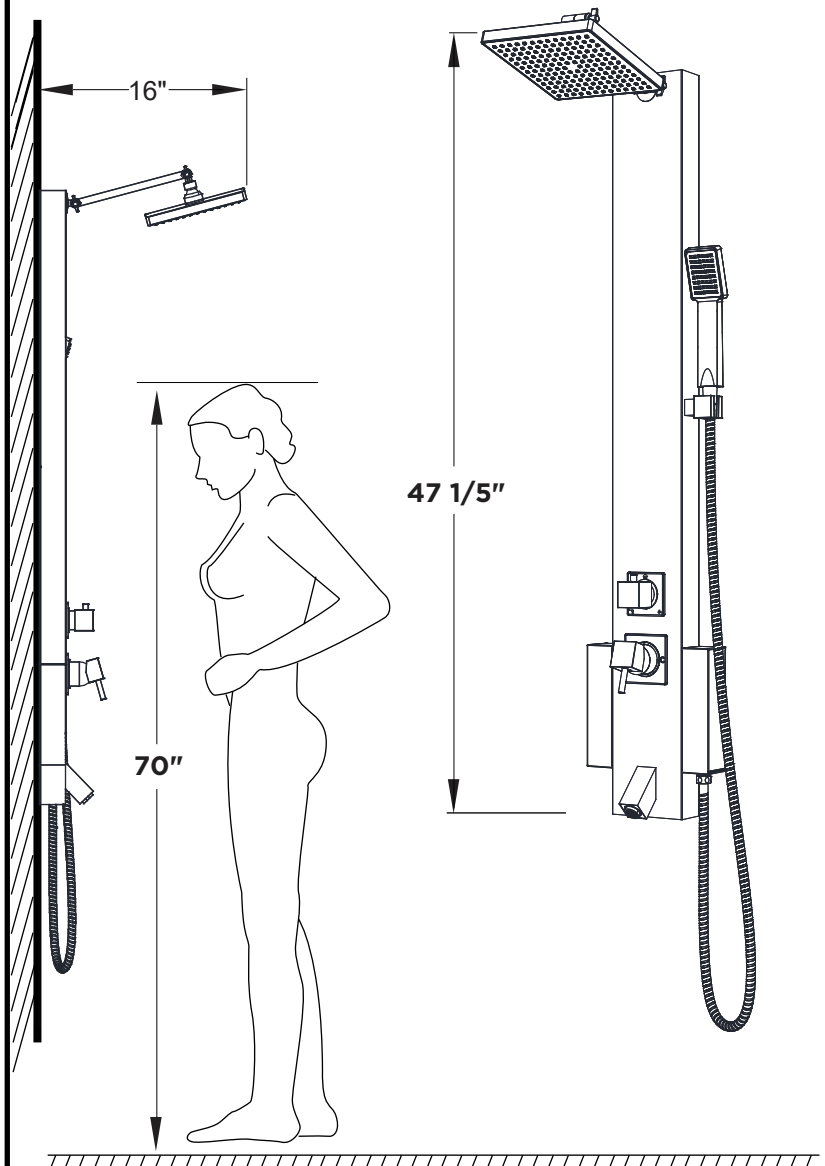
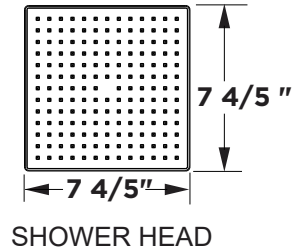
Back View



Measure the distance from the upper fixing hanger to the lower fixing hanger. The dimensions are for your reference only.

Dimensions

Choose a suitable place to install the shower panel, adjust the shower panel's vertical position based on the user's height and your sanitary room. Usually, install the panels at the distance of 82 3/5" from the top to the ground, but you can assemble according to your preference.



Note!

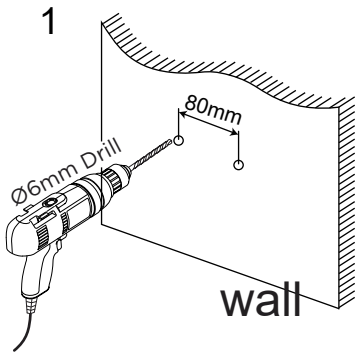
The height can be altered to suit individual requirements.
The dimensions are for reference only.

Note! Most of shower panels not only can be mounted on the tile, marble or other flat wall, but also can be mounted against the wall corner.

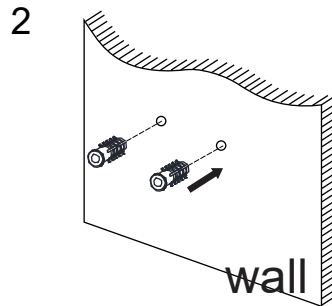
Your item may appear slightly different from the illustration

Wall-mounting

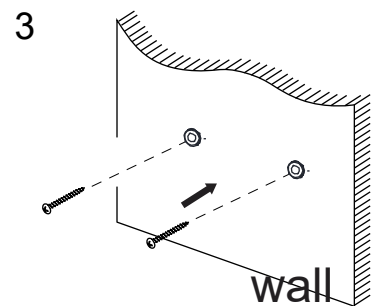
Note! Before drilling any holes for fixing your shower panel ensure that there are no hidden cables or pipework within the wall.



Drill the holes in the wall

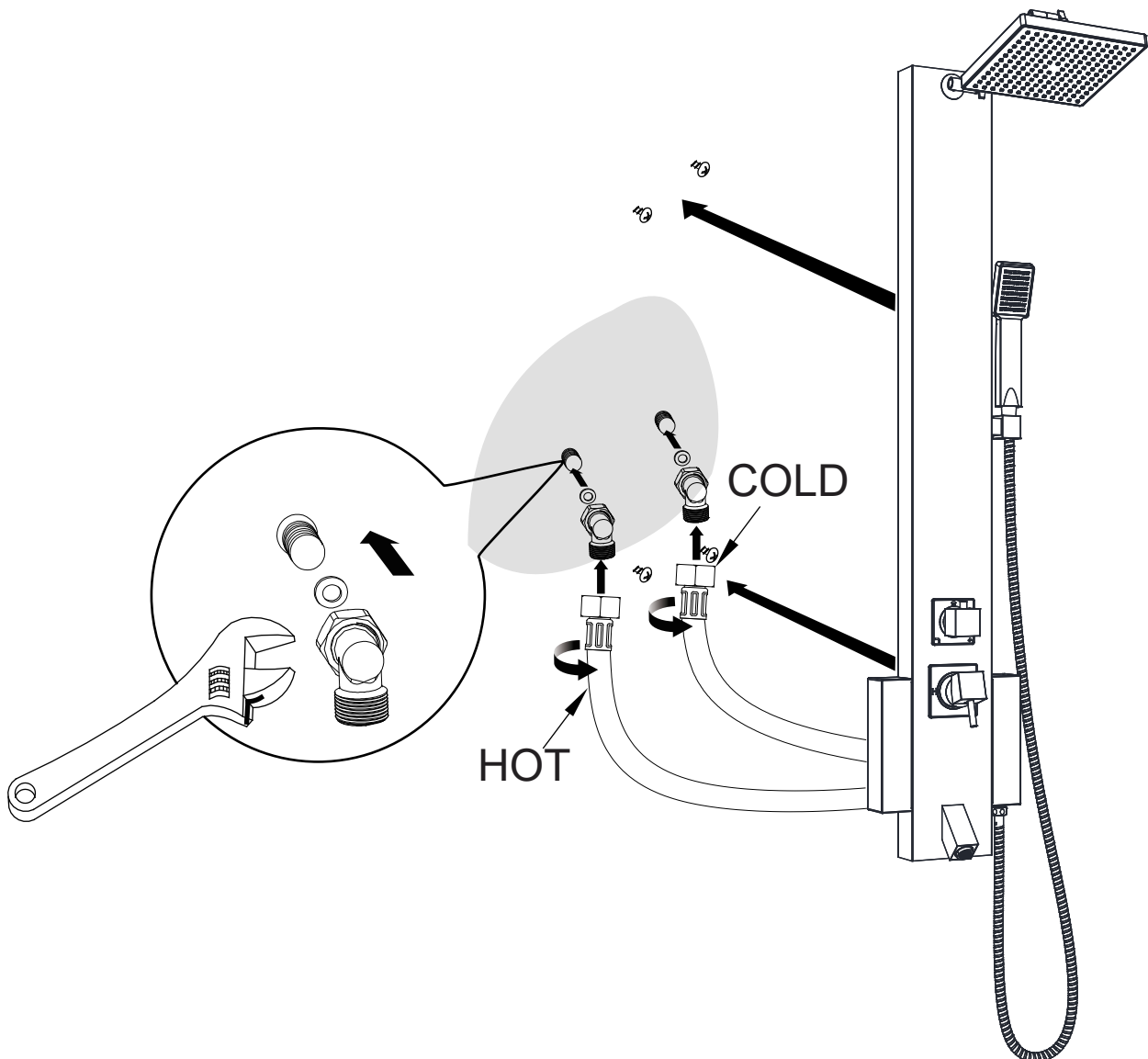


Insert the wall plugs inside the holes



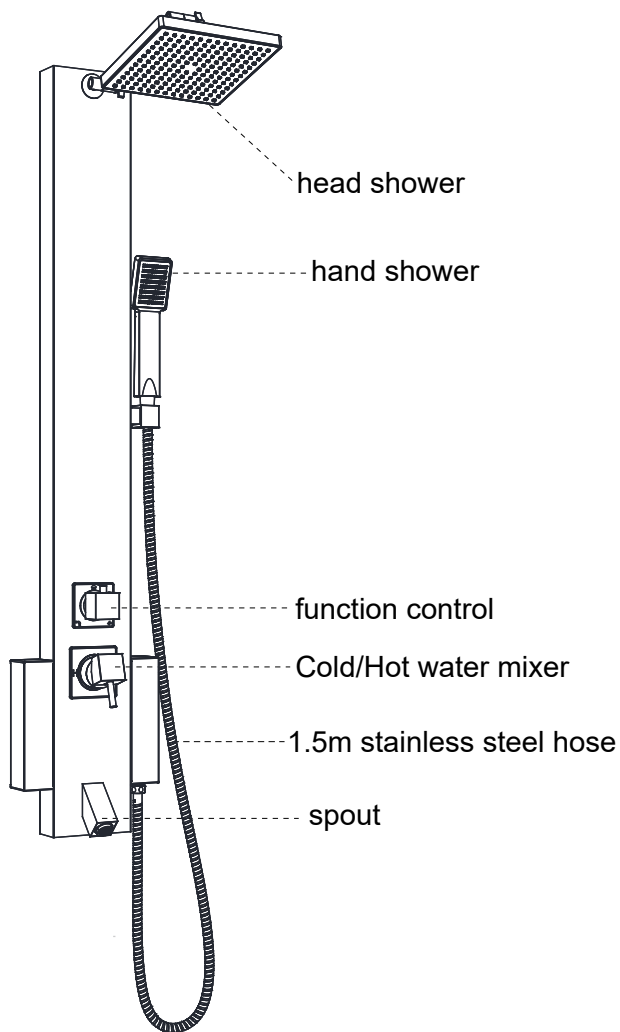
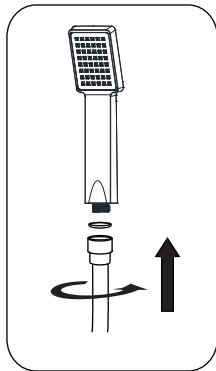
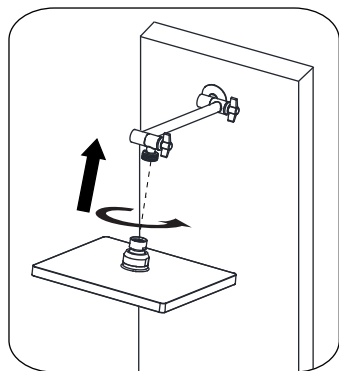
Tighten the screw to 5mm away from the wall

Hang the shower panel on the screws



Note! The shower panel is for indoors use only. For outdoors use please refer to the outdoors shower panel series.

Don't forget to place the Teflon Tape and rubber washer when it is necessary or it might cause water leakage.

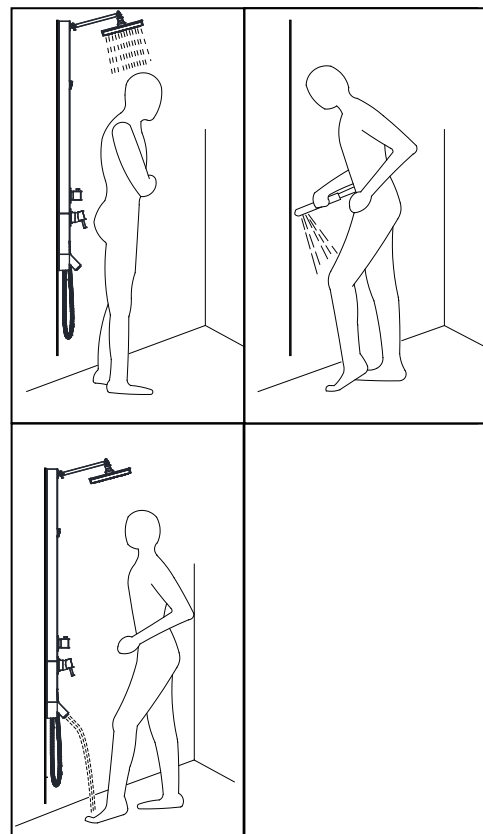
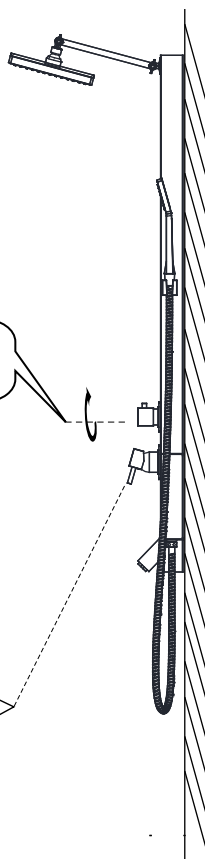
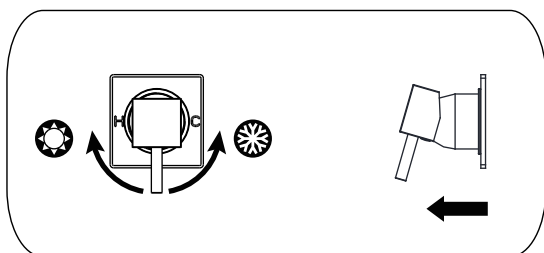


Operation

Technical data

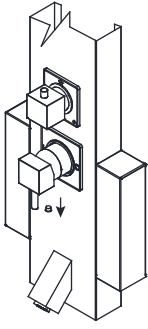
Minimum working pressure 11.6 PSI
Maximum working pressure 72.5 PSI
Recommended operating pressure
21.75 PSI - 43.5 PSI

Select the shower function by rotating the function control knobs.

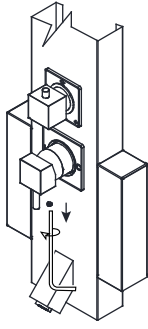


Valve removal process

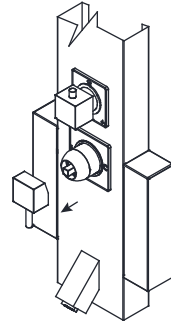
1



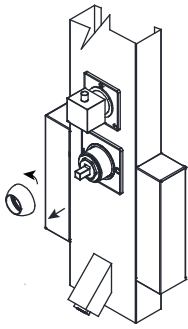
2



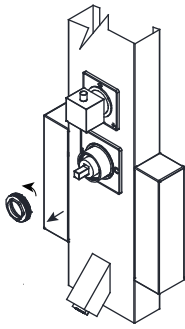
3



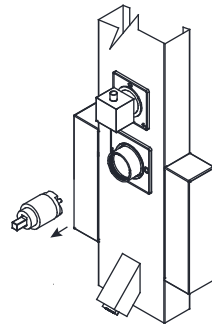
4



5

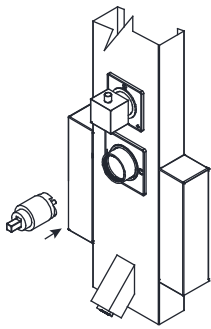


6

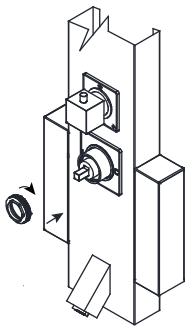


Valve installation process

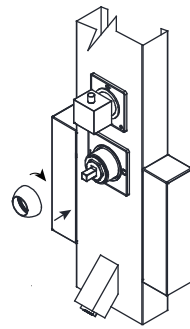
1



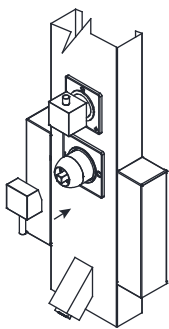
2



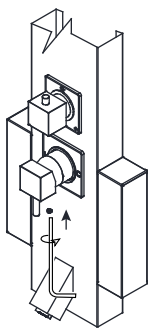
4



4



5



6

