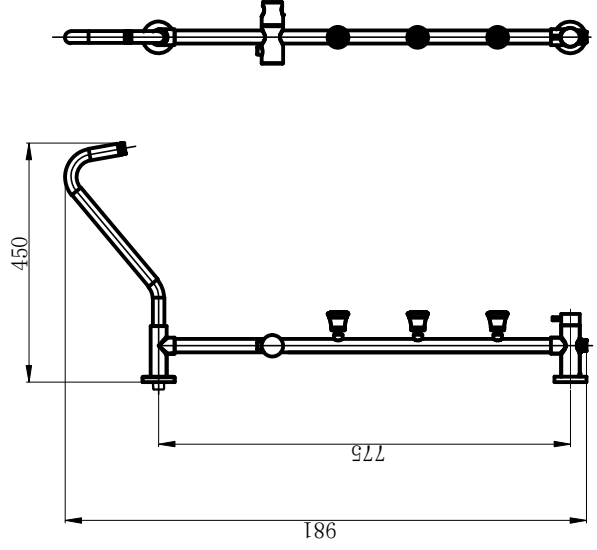
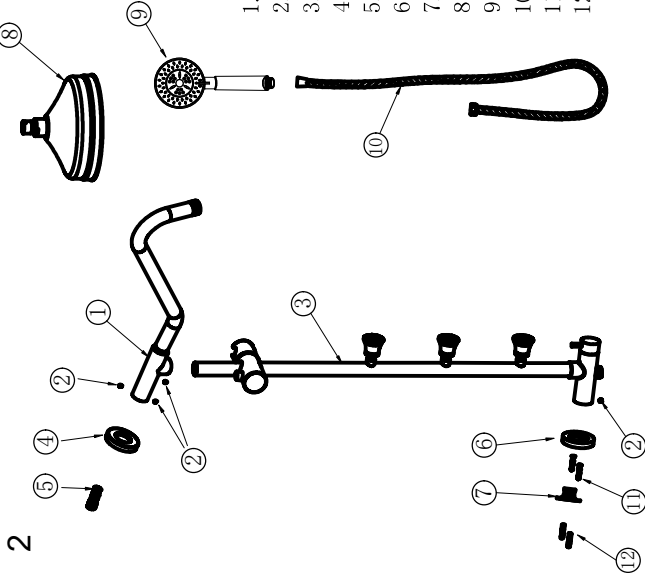


1

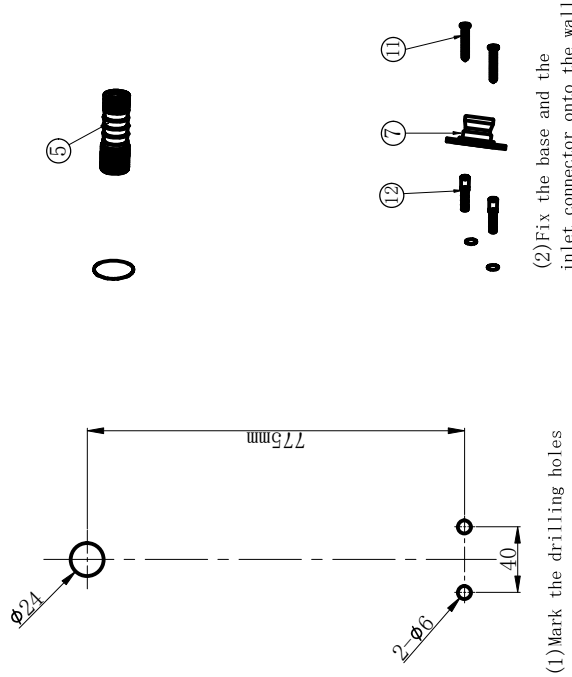


2



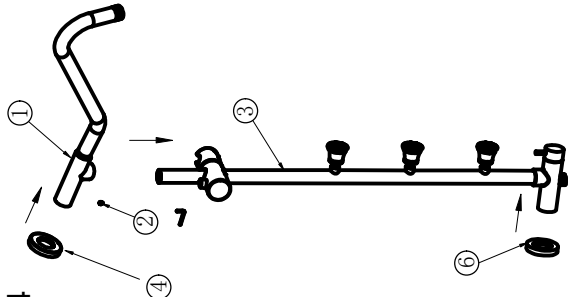
Parts	QTY
1. Upper Tube	1
2. Screw M5	4
3. Lower Tube	1
4. Flange	1
5. Inlet Connector	1
6. Flange	1
7. Base	1
8. Head Shower	1
9. Hand Shower	1
10. 1.5 Meter Hose	1
11. M4 Screw	2
12. Blastic Bush	2

3



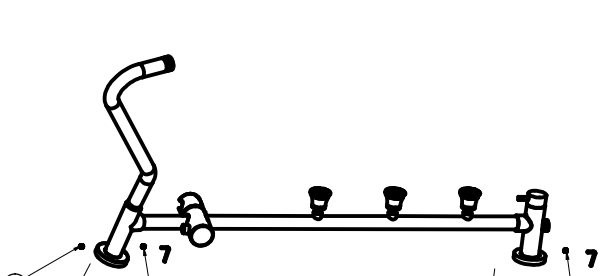
(1) Mark the drilling holes

4



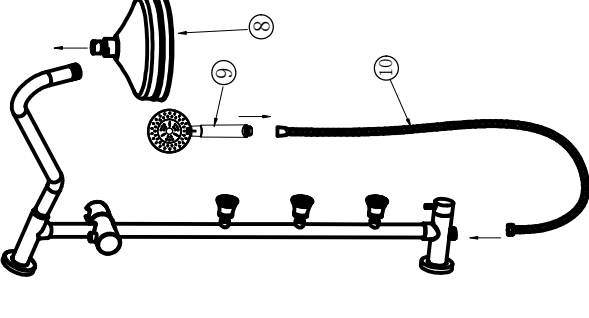
(1) Assemble the upper and lower tubes and flanges

5



(2) Fix the tube onto the bases and inlets on the wall and fasten with screws

5



(1) Assemble the head shower, hand shower and the hose