

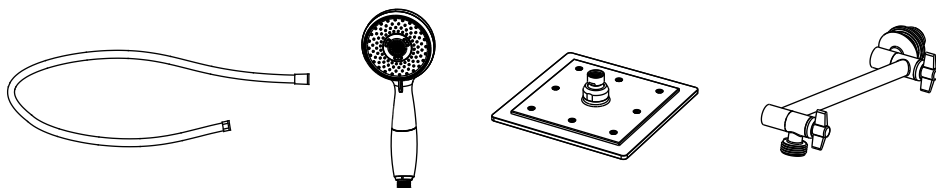
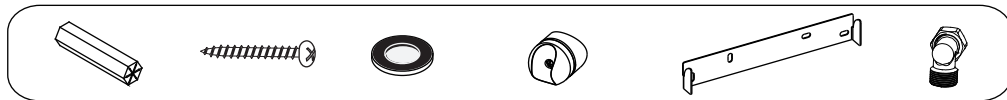
**787-392B**  
**SPA392M**

**INSTALLATION GUIDE**

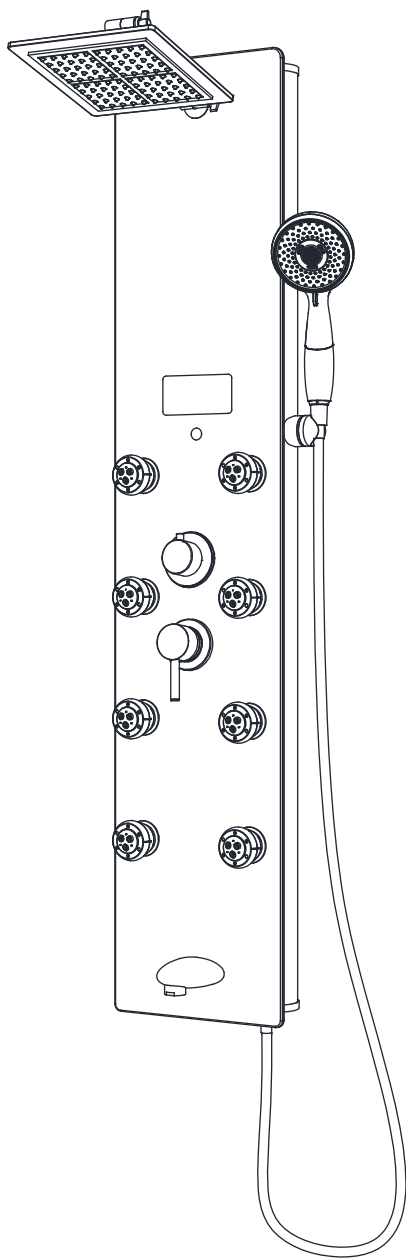
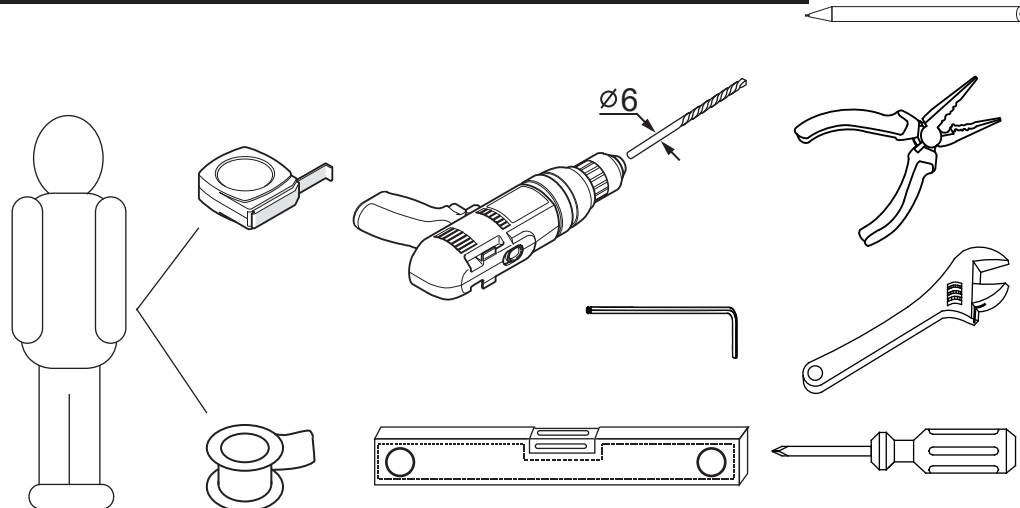
# 787-392B/SPA392M INSTALLATION GUIDE

## Parts List

Please unpack and inspect all packages and components carefully, and make sure they are complete. Examine for shipping damage. If some parts are damaged or missing, notify your dealer immediately.

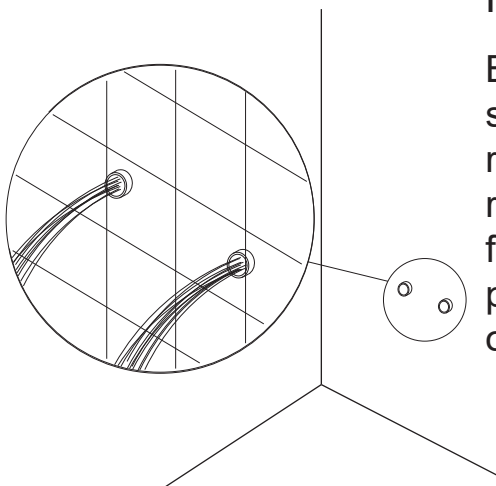


## For Installation You may Require the Following Tools

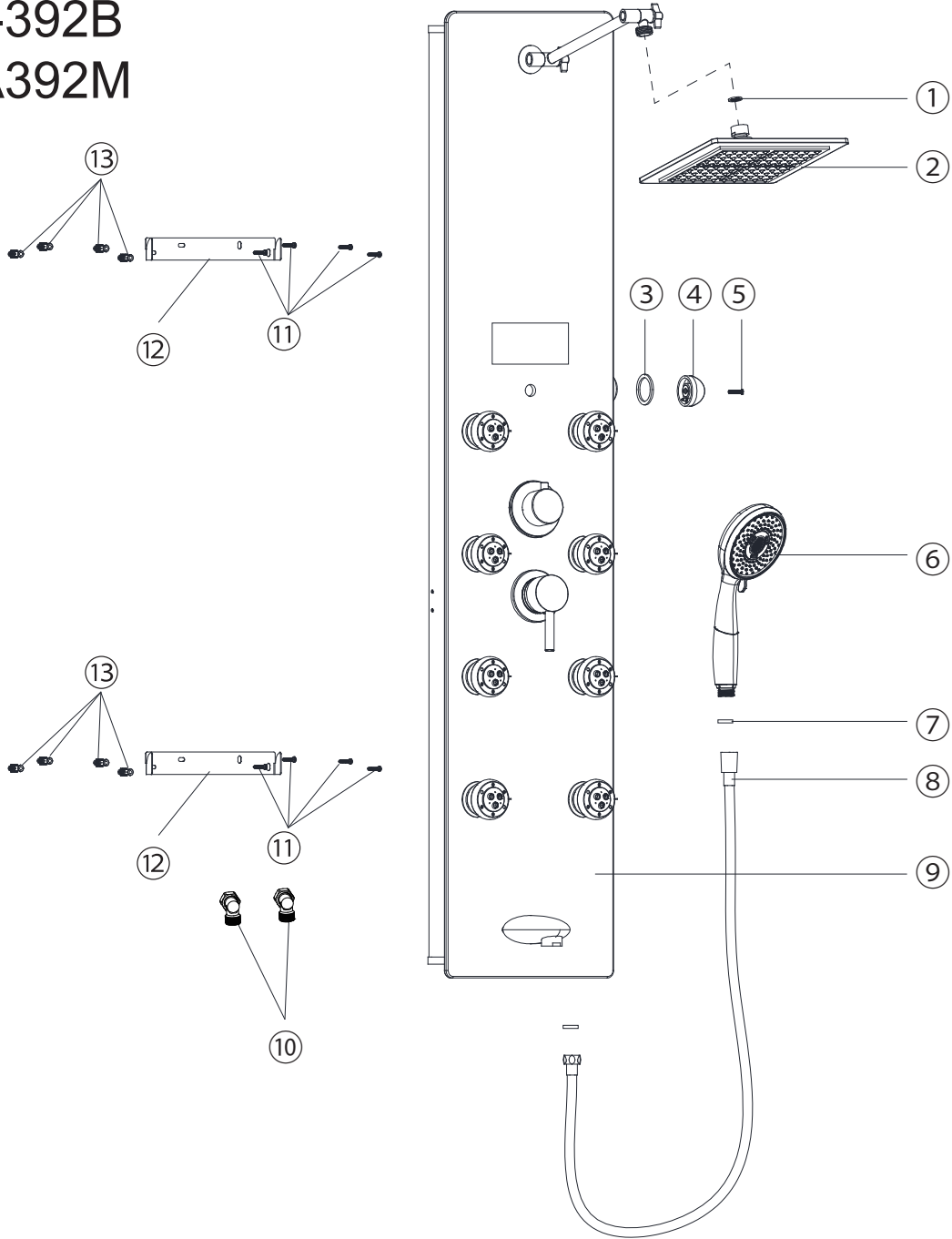


## Note!

Before assembly, flush the water supply pipes thoroughly to remove debris (allow the water to run with the main stopcock open for about 3 mins), otherwise dirt particles might affect the function of the shower panel!

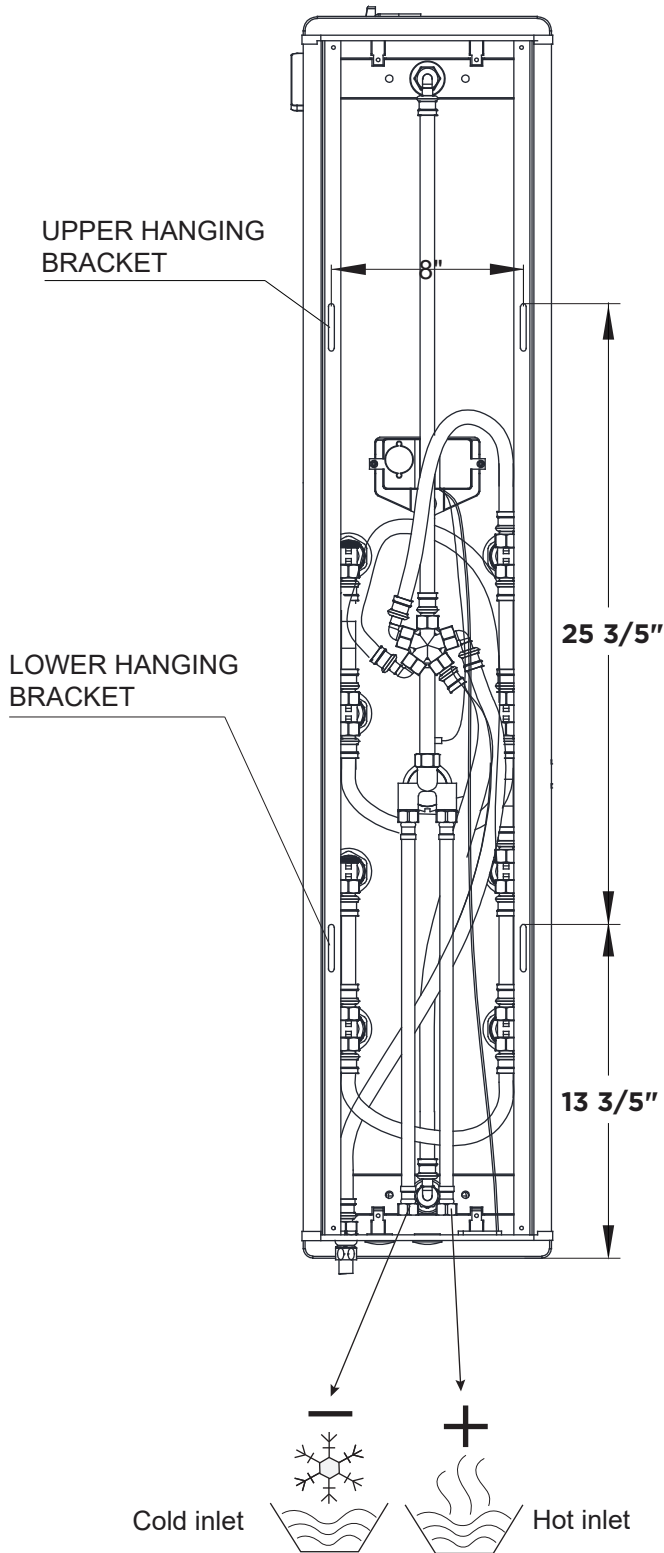


787-392B  
SPA392M



① Shower Head Filter	⑧ Shower Head Hose
② Rainfall Shower Head	⑨ Shower Panel Body
③ Shower Head Holder Washer	⑩ Brass Elbow(Optional Part)
④ Shower Head Holder	⑪ M 4 X 30 Screws
⑤ M 4X16 Screw	⑫ Mounting Bracket
⑥ Handheld Shower Head	⑬ Plastic Expand Plug
⑦ Rubber Washer	

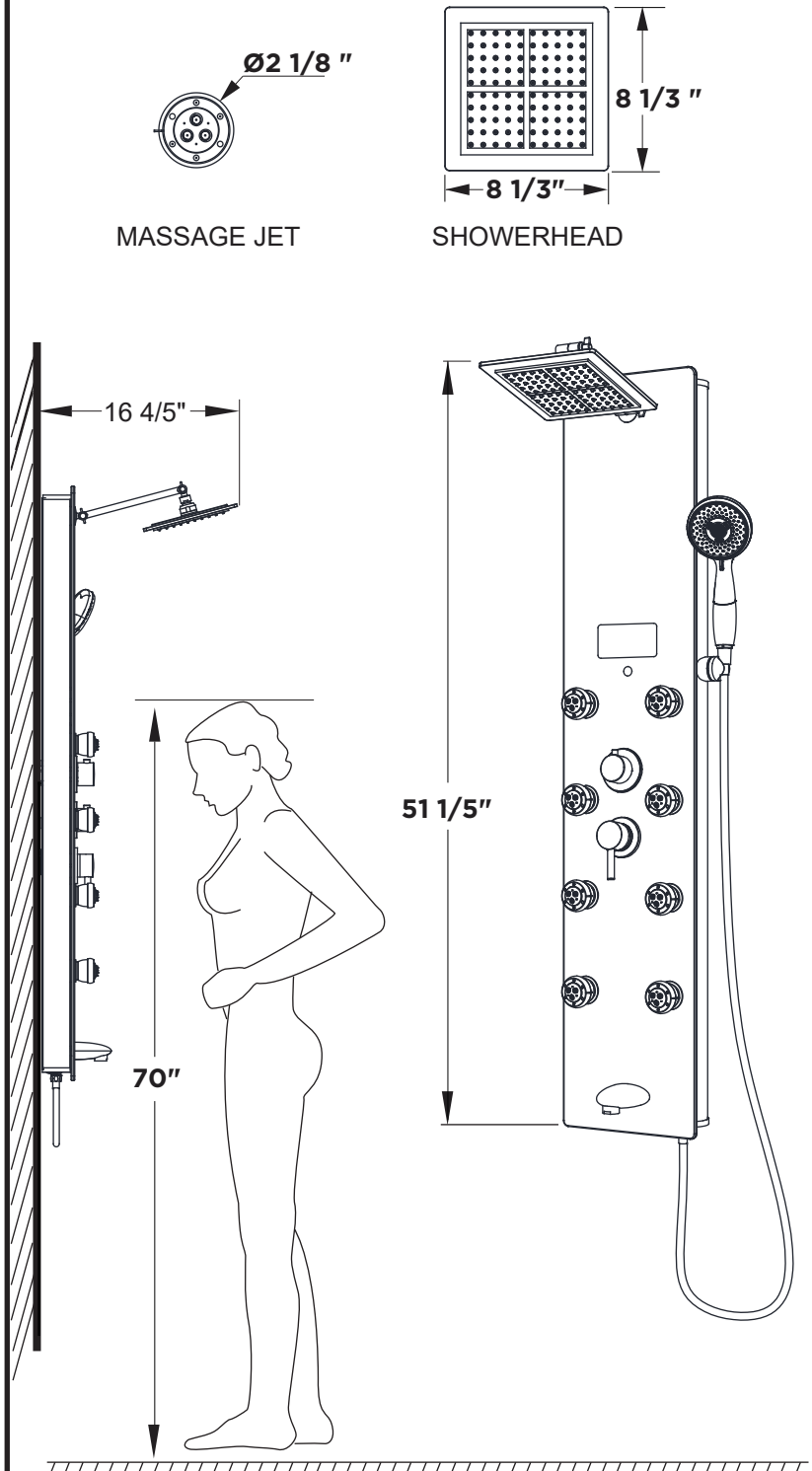
## Back View



Measure the distance from the upper fixing hanger to the lower fixing hanger. The dimensions are for your reference only.

## Dimensions

Choose a suitable place to install the shower panel, adjust the shower panel's vertical position based on the user's height and your sanitary room. Usually, install the panels at the distance of 82 3/5" from the top to the ground, but you can assemble according to your preference.



### Note!

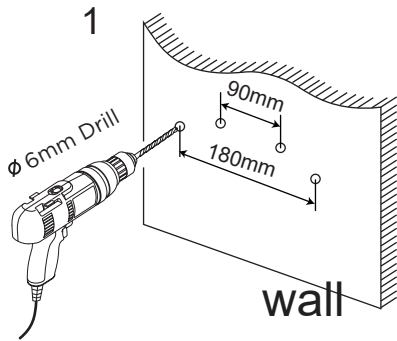
The height can be altered to suit individual requirements.  
The dimensions are for reference only.

**Note!** Most of shower panels not only can be mounted on the tile, marble or other flat wall, but also can be mounted against the wall corner.

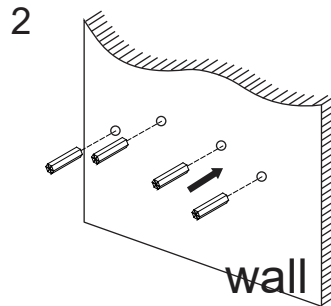
Your item may appear slightly different from the illustration

## Wall-mounting

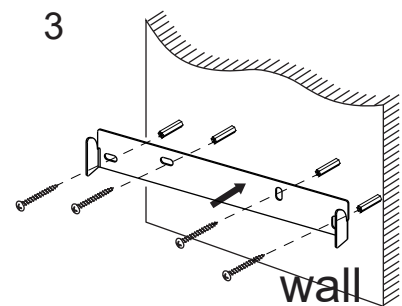
**Note** Before drilling any holes for fixing your shower panel ensure that there are no hidden cables or pipework within the wall.



Drill the holes in the wall

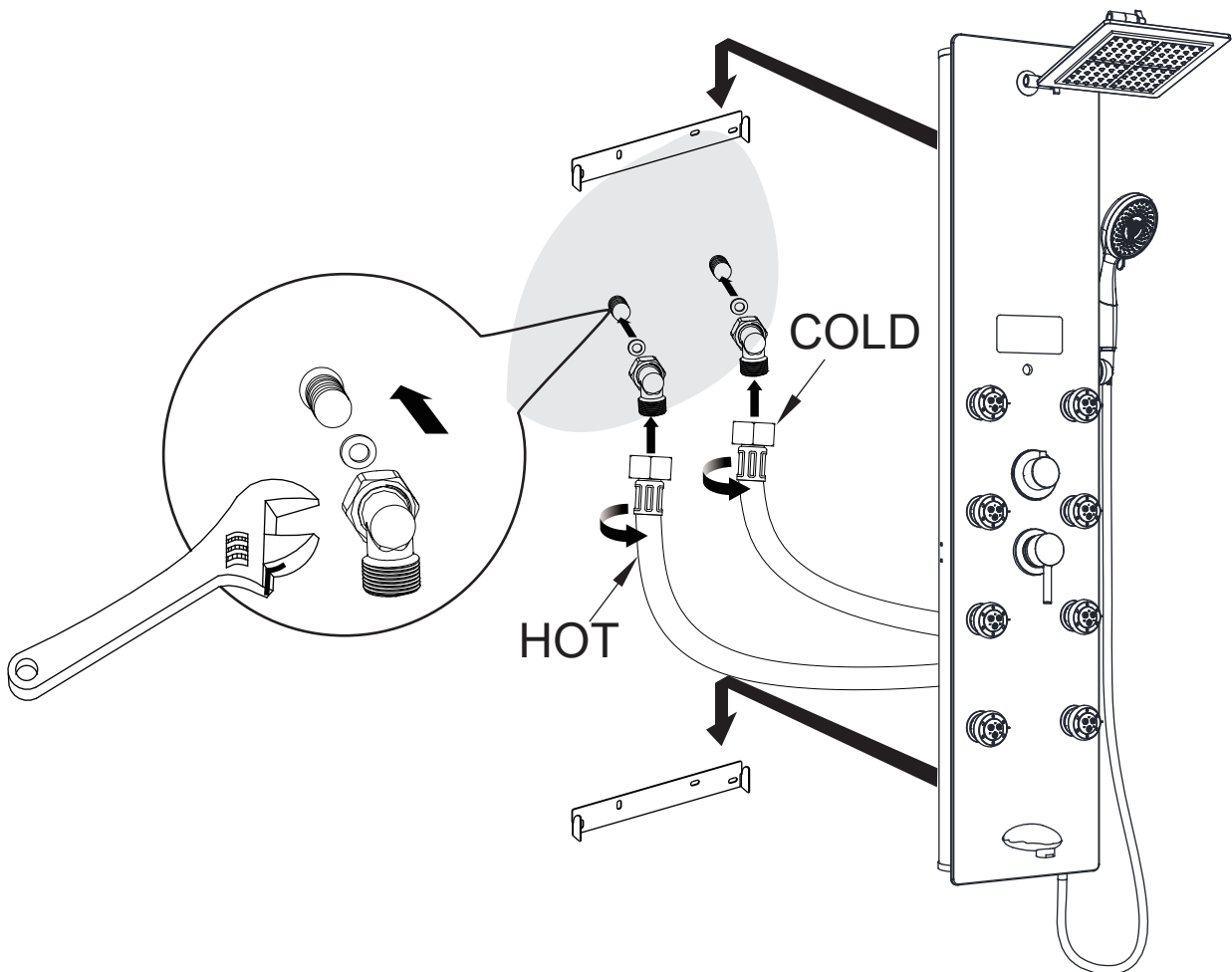


Insert the wall plugs inside the holes



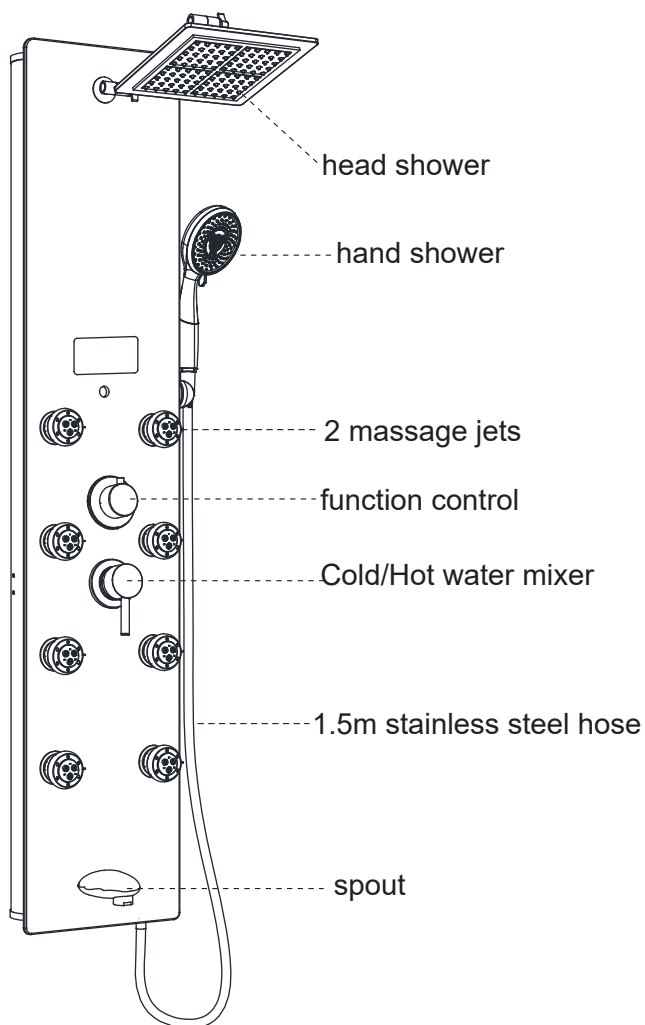
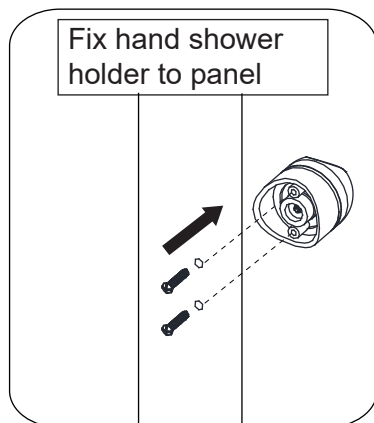
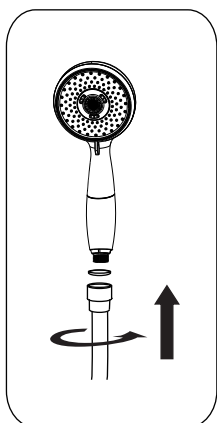
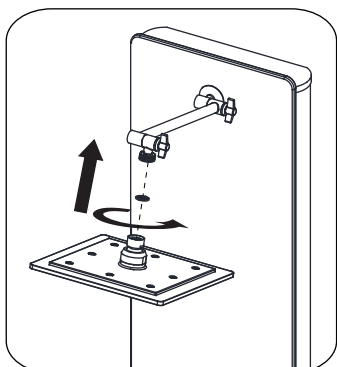
Tighten the screws to the wall with wall mounting brackets

Hang the shower panel on the mounting bracket



**Note!** The shower panel is for indoors use only. For outdoors use please refer to the outdoors shower panel series.

Don't forget to place the Teflon Tape and rubber washer when it is necessary or it might cause water leakage.

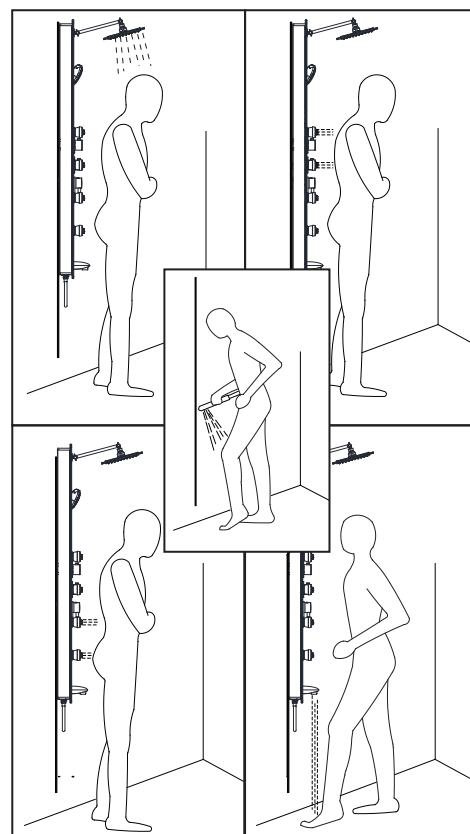
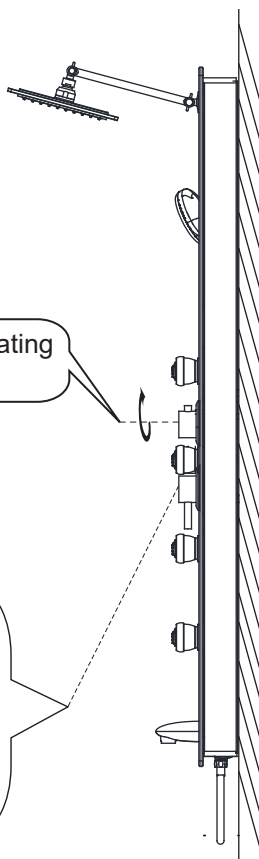
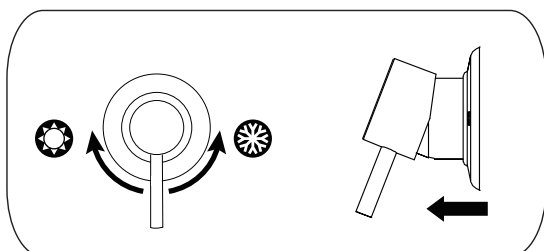


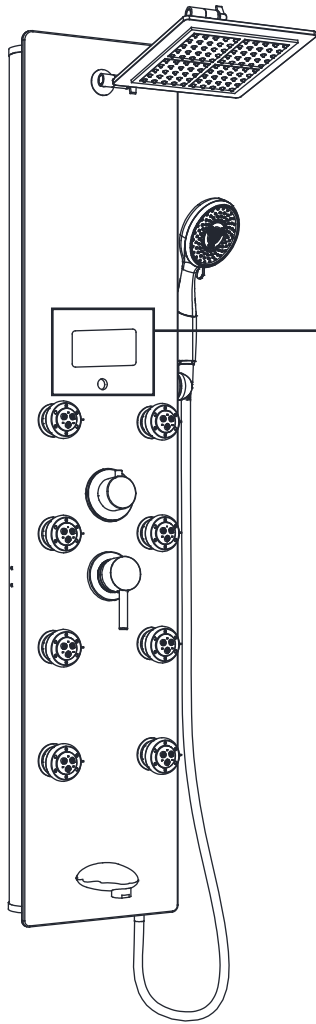
**Operation**

**Technical data**

Minimum working pressure 11.6 PSI  
 Maximum working pressure 72.5 PSI  
 Recommended operating pressure 21.75 PSI - 43.5 PSI

Select the shower function by rotating the function control knobs.





Temperature Display  
 Display can be powered y 2AA batteries



0 to 32 Degree Celsius  
 Display shows Blue color.

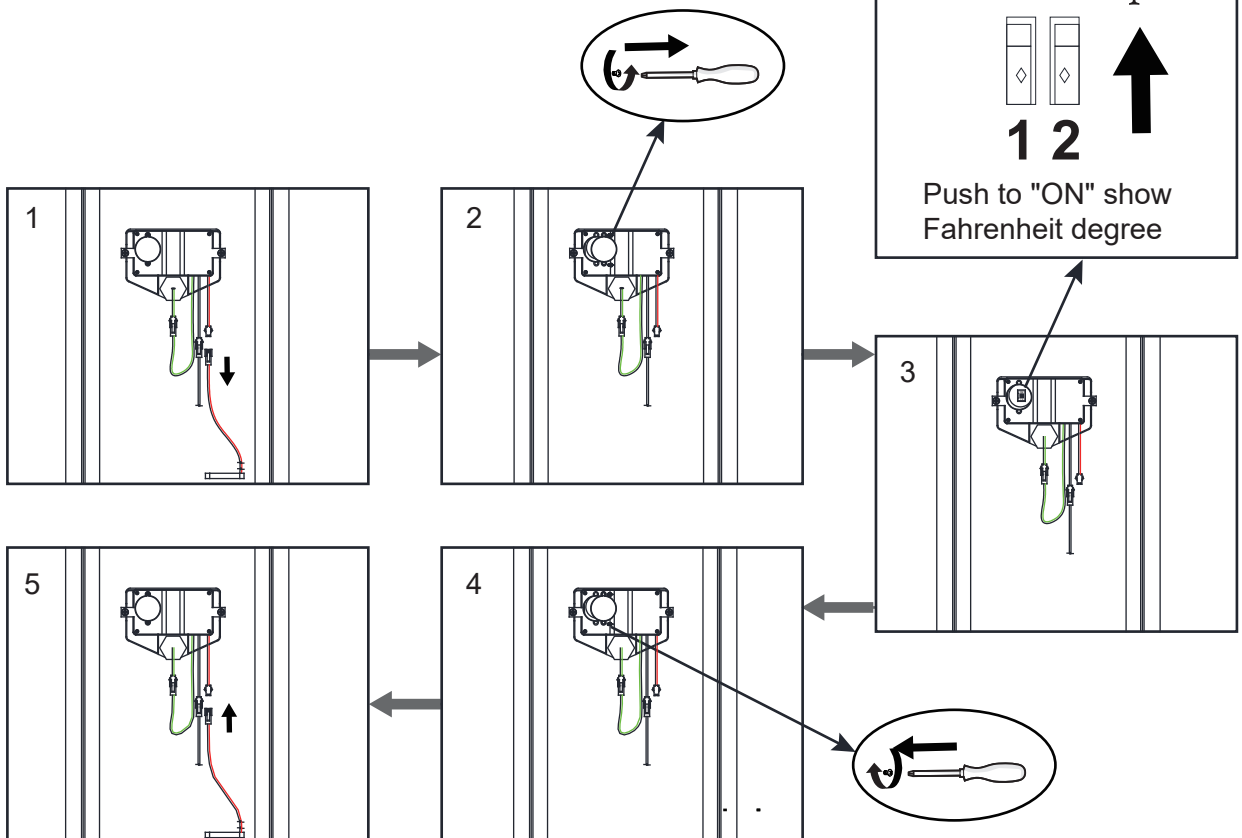


Above 33 Degree Celsius  
 Display shows Red/orange color.



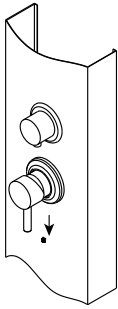
On/Off button for display.

There are two modes of temperature varying between degree celsius and Fahrenheit

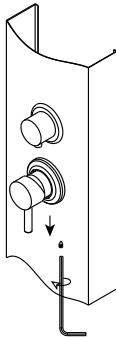


## Valve removal process

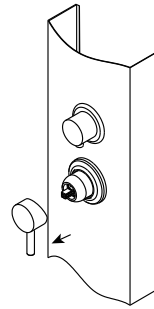
1



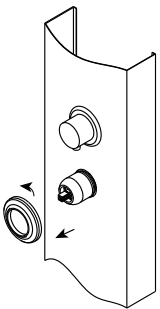
2



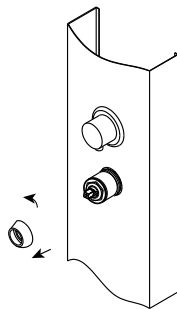
3



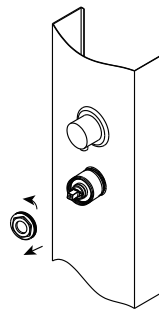
4



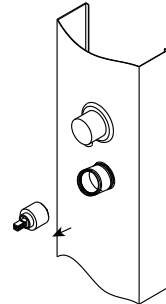
5



6

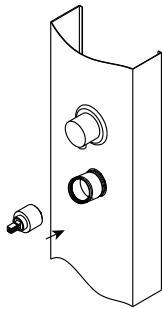


7

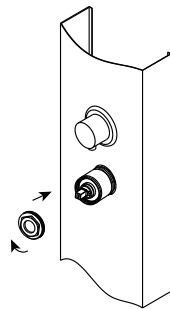


## Valve installation process

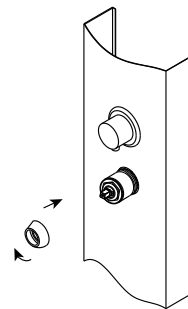
1



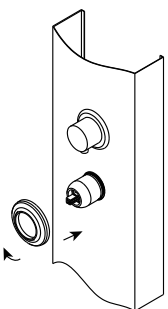
2



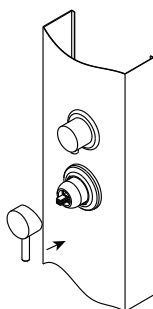
3



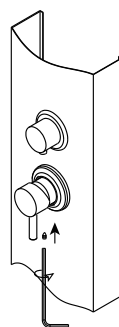
4



5



6



7

