

# Shower panel installation and Operation Guide

---

## Caution:

Before connecting the shower panel , please flush out the debris inside the hot and cold water pipe . Installation without flushing out the debris might reduce water pressure , and cause damage and clogging to the hose and pipe.

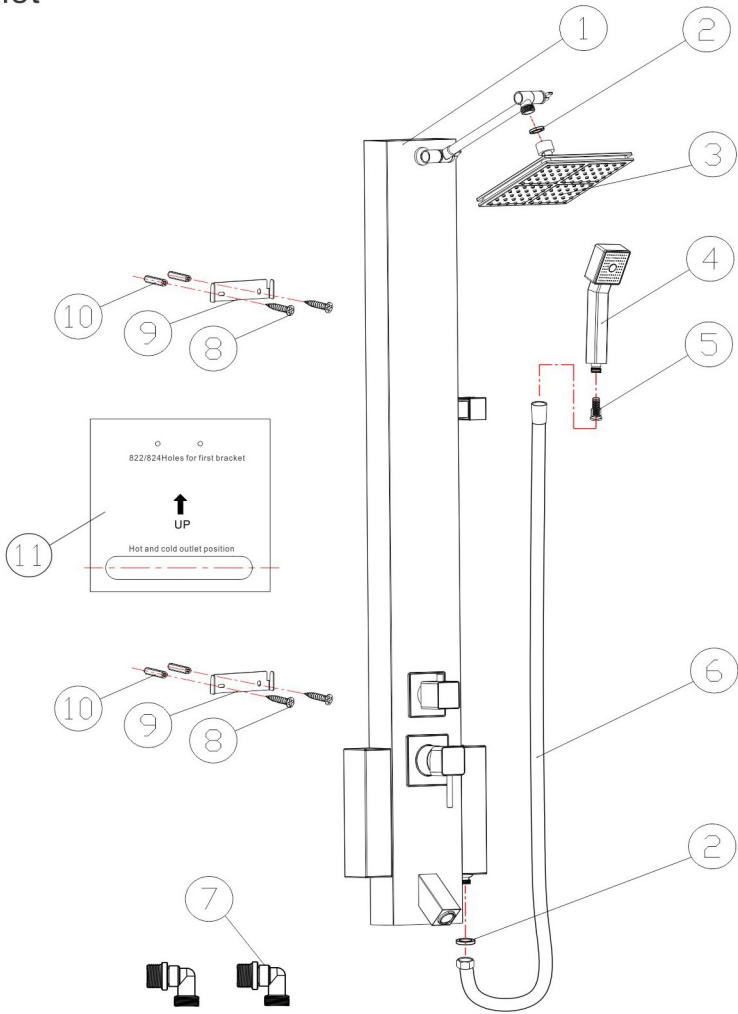


822-322



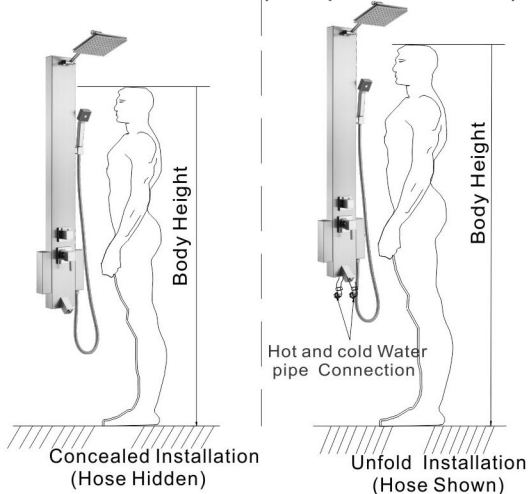
824-322

# 1.Part list



①	Shower panel body	⑦	Brass Elbow (Optional part)
②	Rubber washer	⑧	M4X20 screws
③	6020 Rainfall shower head	⑨	Mounting Bracket
④	322 Handheld Shower Head	⑩	Plastic Expand Plug
⑤	Shower Head Filter	⑪	Equipped with hidden installation folder
⑥	Shower head hose		

2. Based on the height of the user(s) and location of the hot/cold pipe inlet, select concealed or unfold installation. (see picture below)



### 3. Installing the Mounting Bracket

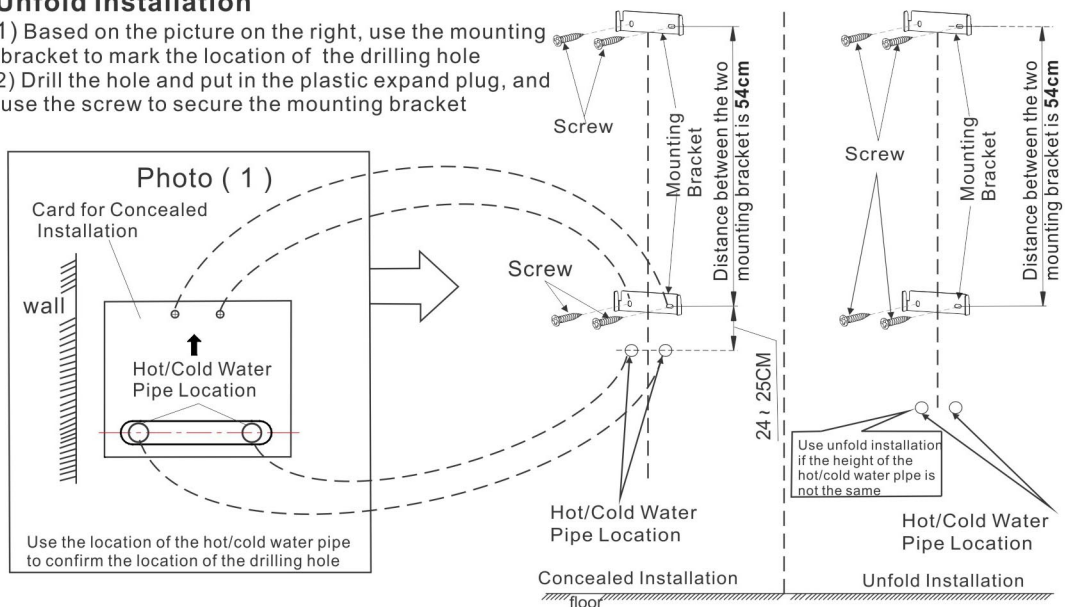
Before drilling holes, confirm the location of the hot and cold water hose connection and decide if concealed or unfold installation will be used

#### Concealed Installation

- 1) Select the location of the first mounting bracket  
 Method 1: Based on the dimension, mark drilling hole for the first mounting bracket  
 Method 2: Place the hot/cold water location on the included Concealed Installation Card on to the hot/cold water pipe, and then use the marking on the card to mark the drilling hole (See Photo 1)
- 2) Based on the marking of the first mounting bracket, measure the distance between the two bracket and mark drilling hole for the second mounting bracket
- 3) Base on the marking, drill four 6mm holes and put in the plastic expand plug
- 4) Use screw to secure the mounting bracket onto the wall

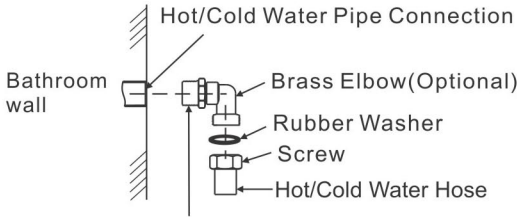
#### Unfold Installation

- 1) Based on the picture on the right, use the mounting bracket to mark the location of the drilling hole
- 2) Drill the hole and put in the plastic expand plug, and use the screw to secure the mounting bracket

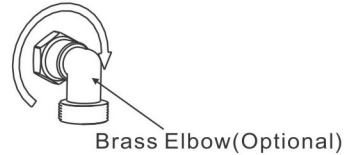


## 4.Connection and Hanging of shower panel Body

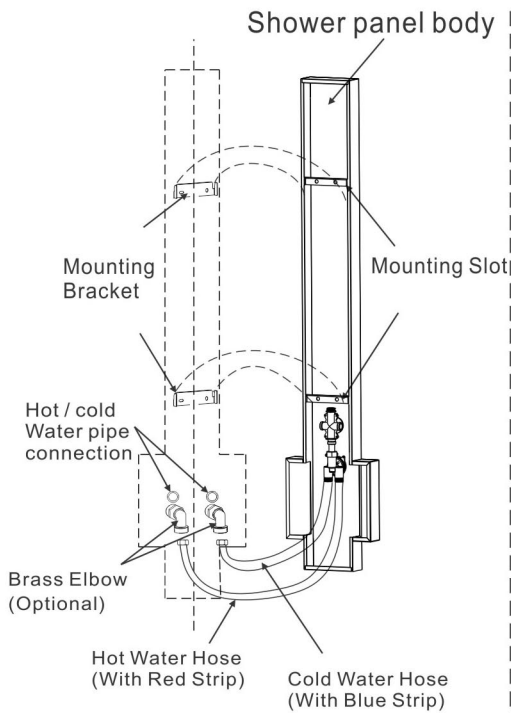
Before connecting, please switch on water supply to flush out the debris (i.e. rust and small particle) inside the water pipe. Failure to do so might cause hoses to be clogged. To install, use Teflon Tape to wrap around the fitting of the water pipe, insert a rubber washer with mesh onto the hoses, and simply connect the 1/2" hoses with a 1/2" pipe fitting. After connection is done, switch on the water to make sure no leaking occurs. To mount the shower panel, screw the mounting bracket onto the wall, and simply mount the shower panel onto the mounting bracket. When screwing the mounting bracket, please make sure that it is being screwed on a wood stud behind the wall to provide sufficient strength to hold the shower panel. (See Picture Below)



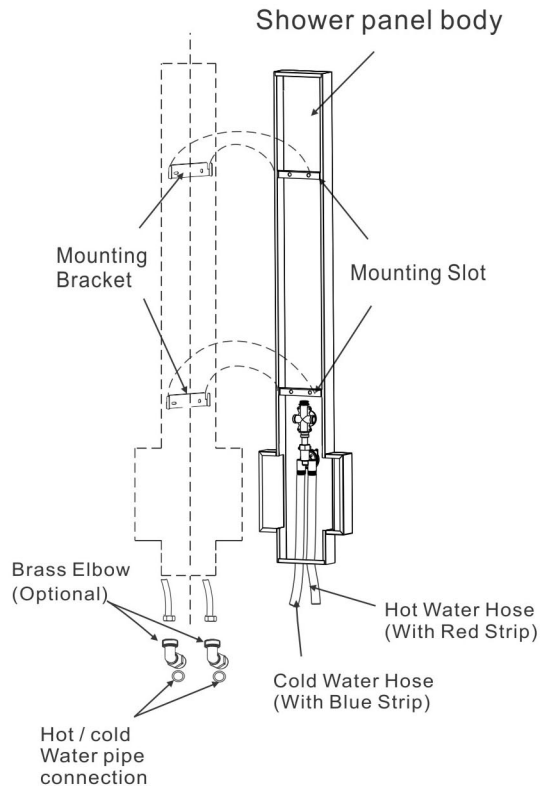
the bent pipe can be turned 360°



Wrap with Teflon Tape



Concealed installation



Unfold installation

floor