



UNDER CABINET RANGE HOOD

USER MANUAL

READ AND SAVE THESE INSTRUCTIONS MANUAL

Table of Contents

Table of Contents	1
Technical Characteristics	2
Safety Information	2
Safety Information Continued	3
Pre-Installation	4
PLANNING INSTALLATION	4
Pre-Installation Continued	5
FOR UNDERCABINET MOUNT RANGE HOODS	5
VENTING OPTIONS	5
Ducting Options	6
Ducting Options Continued	7
Ducting Options Continued	8
Pre-Installation	9
TOOLS/MATERIALS REQUIRED (NOT SUPPLIED)	9
Pre-Installation Continued	10
HARDWARE INCLUDED	10
PACKAGE CONTENTS	10
Installation	11
Installation Continued	12
Installation Continued	13
Operation	14
POWERING ON/OFF THE UNIT	15
Maintenance	15
LED LIGHT	15
Care and Cleaning	15
FILTERS	16
Troubleshooting	16
Specifications	17
Wiring Diagram	17



Please note that this product is marked with this symbol:

According to Waste of Electrical and Electronic Equipment (WEEE) directive, WEEE should be separately collected and treated. If at any time in future you need to dispose of this product, Please do NOT dispose of this product with house hold waste. Please send this product to WEEE collecting points where available.

Technical Characteristics

Model No.:RH803B(30")
 Total power: 304W
 Motor power: 300W
 LED Lights: 2 x 2W
 Voltage: 120V
 Frequency: 60Hz
 Filter: Baffle Filter
 Control: Push button

Model No.:RH806A(30")
 Total power: 169W
 Motor power: 165W
 LED Lights: 2 x 2W
 Voltage: 120V
 Frequency: 60Hz
 Filter: Aluminium Filter
 Control: Push button

Safety Information

Read and save these instructions

Warning-To reduce the risk of fire, electric shock, or injury to persons, observe the following:

1. Use this unit only in the manner intended by the manufacturer. If you have any questions, contact the manufacturer.
2. Before servicing or cleaning unit, switch power off at service panel and lock service disconnecting means to prevent power from being switched on accidentally. When the service disconnecting means cannot be locked, securely fasten a prominent warning device, such as a tag, to the service panel.
3. Installation work and electrical wiring must be done by qualified person(s) in accordance with all applicable codes and standards ,including fire-rated construction.
4. Sufficient air is needed for proper combustion and exhausting of gases through the flue(chimney) of fuel burning equipment to prevent back drafting. Follow the heating equipment seller's guideline and safety standards such as those published by the National Fire Protection Association(NFPA), and the American Society for Heating, Refrigeration and Air Conditioning Engineers(ASHRAE),and the local code authorities.
5. When cutting or drilling into a wall or ceiling, do not damage electrical wiring and other hidden utilities.
6. Ducted fans must always be vented to the outdoors.



DANGER: Turn off the power circuit breaker or the power switch on the junction box before installing or servicing this unit. Touching circuitry inside the range hood while it is energized will result in death or serious injury.



DANGER: All electrical wiring must be properly installed, insulated, and grounded. Improper insulation and grounding will result in deadly electrical shock.



DANGER: If installing this unit over a gas range, turn off the gas at the source before installing or servicing this unit.



WARNING: Attempting to install or service this unit when you do not have the necessary technical or electrical background could result in personal injury.



WARNING: The unit has sharp edges. Always wear safety gloves during installation, cleaning, or servicing.



WARNING: Always leave safety grills and filters in place. Without these components, operating fans could catch on to hair, fingers, or loose clothing.



WARNING: Stay clear of the rotating fan when the motor is running.



WARNING: Keep this appliance clean and free of grease and residue build-up at all times to prevent fires.



CAUTION: This device is for general ventilating use only. Do not use to exhaust hazardous or explosive materials and vapors.

Safety Information(continued)

COOKING SAFETY INFORMATION

1. Never leave the range hood unattended when in use.
2. Never cook over open flames under the range hood.
3. Always turn the range hood on when cooking at high heat or when cooking flaming foods.
4. If you choose to hang the range hood as below (Fig. 1) distance(D) from the cooktop surface, use extra caution as the surface of range hood may be extremely hot to the touch. For this unit, (D in Fig. 1) is 650mm-700mm(25.6 in- 27.6 in).
5. Use caution when cooking with oil or with deep-fryers. Overheating may cause oil to reach its flash point and ignite. Used oil will ignite at lower temperatures than fresh oil. Heat oils slowly on low to medium setting.
6. Avoid boil overs, as they may cause smoking and greasy spillovers that could ignite.
7. To prevent burns or fires, always use cookware appropriate to the size of the heating element that you are using.
8. In event of a cooking fire, observe the following:
 - Be careful to avoid burns.
 - Smother flames with a close-fitting lid, cookie sheet, or metal tray, then turn off the burner. If the flames do not go out immediately, evacuate and call the fire department .
 - Never pick up a flaming pan.
 - Do not use water, including wet dishcloths or towels, as you could cause a steam explosion.
 - Use an extinguisher only if: (a) you have a class ABC extinguisher and you know how to operate it,(b) the fire is small and contained in the area where it started, (c) the fire department is being called, and (d) you can fight the fire with your back to the exit.



WARNING: To reduce the risk of fire, use only metal duct work. Never use plastic duct work.



WARNING: To reduce the risk of fire or electric shock, do not use this range hood with any external solid state speed control device.



CAUTION: For general ventilation use only. Do not use the range hood fans to exhaust hazardous or explosive vapours.



CAUTION: Never dispose of cigarette ashes, ignitable substances, or any foreign objects in fans.



CAUTION: At least two people are needed to move and safely install the unit. Failure to properly lift the range hood could result in product damage or personal injury.

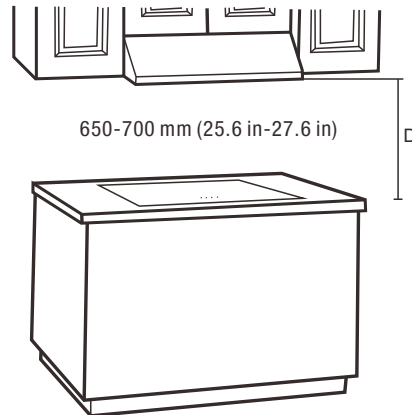


Fig.1

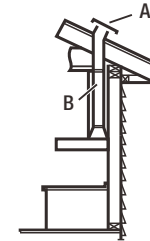
CLEANING SAFETY INFORMATION

1. The fan and filters must be cleaned periodically and kept free from accumulation of cooking residue. Old and worn filters must be replaced immediately.
2. Never disassemble parts to clean. Parts should be disassembled by qualified persons only.

Pre-Installation

PLANNING INSTALLATION

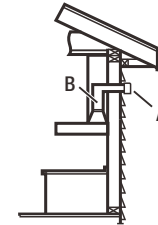
- Unpack range hood and ensure all listed parts are in the box.
- It is recommended for the vent system to be installed before hood is installed.
- Before making cutouts, make sure there is proper clearance within the ceiling or walls for the exhaust vent.
- Some models may have foam protecting the motor, please remove, and discard this foam.
- Some models may have a protective blue film on the filters , please remove and discard this film.
- Determine which venting method to use roof or wall.
- It is recommended that a professional installer perform the range hood installation.



Roof venting

A. Roof cap

B. 7 in. (17.7cm)round vent



Wall venting

A. Wall cap

B. 7 in. (17.7cm)round vent

INSTALLATION DIMENSION RECOMMENDATIONS

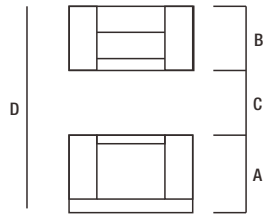
FOR UNDERCABINET MOUNT RANGE HOODS

A = Countertop Height.

B = Hood height from ceiling to bottom of the range hood filter surface: D-A-C=B.

C = 24 in. minimum from cooking surface up to 36 in. maximum for Electric/Induction range tops. 26 in. minimum from cooking surface up to 36 in. maximum for Gas ranges tops.

D = Floor to ceiling height.



VENTING OPTIONS

A: Determine if your existing venting type is top venting or back venting, and ensure that the openings in the cabinet or wall for the damper and for power access are in appropriate locations and are of appropriate sizes, as per fig.1 if it is top venting or fig.2 if it is back venting. For top option in fig.1 you can see the round damper pre-installed you just need to open the a and b only. If you are using the rectangular damper, please remove the pre-installed round damper B and install the rectangular damper D.

B: If it is a new installation, choose the venting method of your need. Cut the opening for the damper and the power cable in the cabinet or wall depending on the direction of your choice.

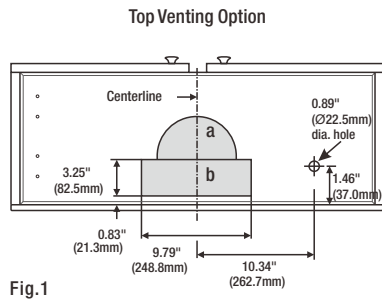


Fig.1

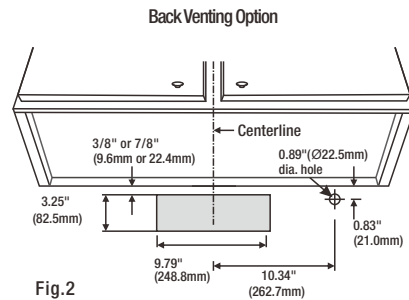


Fig.2

Ducting Options

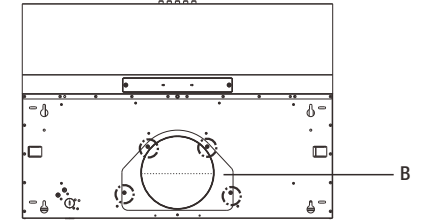


CAUTION: Always wear safety glasses and protective gloves when handling the range hood.

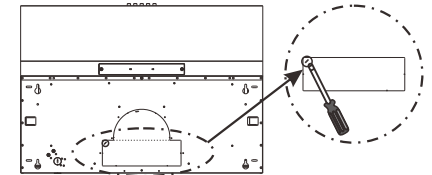
- There are four ducting options available with these models.
 1. Ventilate out of your dwelling vertically by using the 7 in. round air vent (B) located on top of the range hood.
 2. Ventilate out of your dwelling vertically by using the 3-1/4" X 10" air vent (E) that will be assembled to the top of range hood.
 3. Ventilate out of your dwelling horizontally by using the 3-1/4" X 10" air vent (D) that will be assembled to the rear of range hood.
 4. Recirculate the air (non-ducted) within your dwelling.

1 Ducting Option One

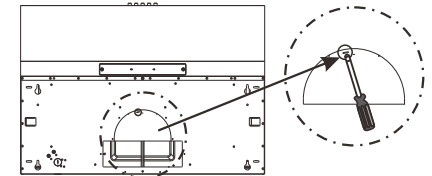
- 1 Remove the (4) set screws from the air vent (B) that is attached to the top of the range hood and remove the air vent.
*Keep the (4) set screws.



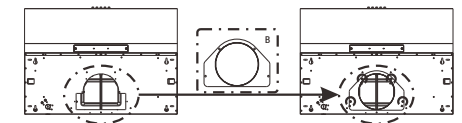
2. Using a flat head screwdriver and pliers, remove the 3-1/4" X 10" stainless-steel plate.



3. Using a flat head screwdriver and pliers, remove the half - round stainless-steel plate.

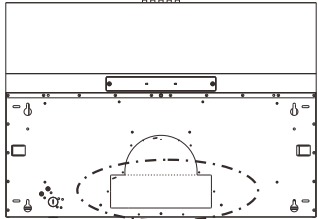


4. Reassemble the air vent (B) to the top of the range hood using the (4) set screws removed in step one.

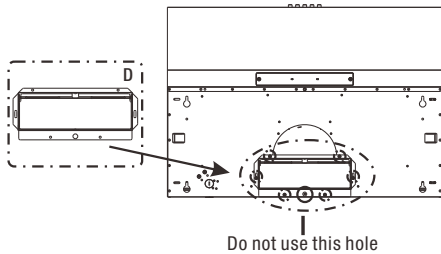


2 Ducting Option Two

1. Follow steps 1 and 2 ducting option one. Do not remove the half-round stainless-steel plate.



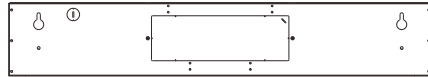
2. Attach the 3-1/4" X 10" air vent (D) using the (6) #8 X 3/8 screws(BB).



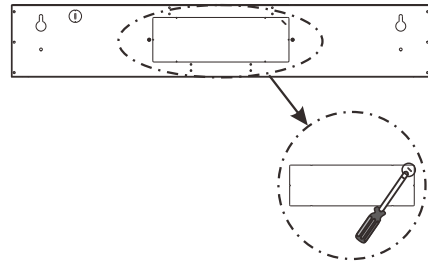
Do not use this hole

3 Ducting Option Three

1. On the rear of the range hood, remove the two set screws as shown below.



2. Using a flat head screwdriver and pliers, remove the 3-1/4" X 10" stainless-steel plate.
* (2) #8 X 3/8 screws are pre-installed.



3. You need to confirm the gap between cabinet and rear exhaust.
 - If the gap between cabinet and rear exhaust= 3/8in use 4 screw holes(Fig.3).
 - If the gap between cabinet and rear exhaust= 7/8in use 4 screw holes(Fig.4).

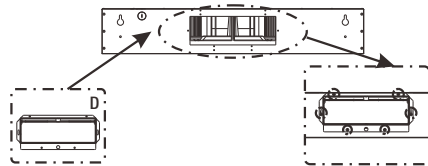


Fig.3



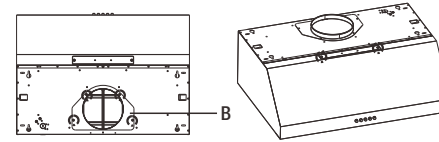
Fig.4

4. Attach the 3-1/4" X 10" air vent (E) using the (6) #8 X 3/8 screws(BB). (*Including (2) #8 X 3/8 screws pre-installed)
* You can use the (2)#8 x3/8 screws to plug the 2 holes not being used.



4 Ducting Option Four

1. Remove the (4) set screws from the air vent (B) that is attached to the top of the range hood.Discard the air vent (B) and set screw.
2. Remove the recirculating plate cover (located on top of range hood) by removing the two set screws. Discard the recirculating plate cover.



NOTE: You may also discard the 3-1/4" X 10" air vent (E).

Pre-Installation

Tools/Materials Required (not supplied)

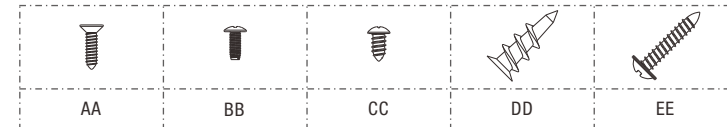
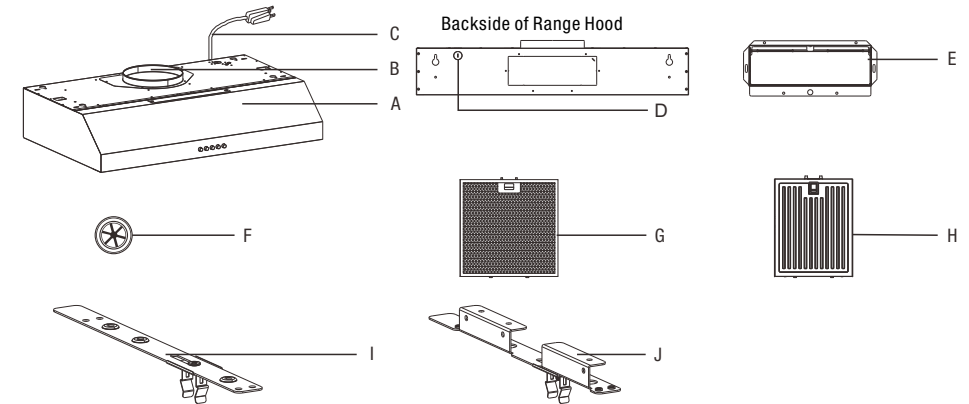


- Duct work
- Electrical wire connectors

Pre-Installation(continued)

HARDWARE INCLUDED

PACKAGE CONTENTS



Part	Description	Quantity
A	Range Hood	1
B	7-in. round air vent	1
C	Power cord	1
D	Optional rear power cord exit (punch out)	1
E	Optional 3-1/4" X 10" air vent	1
F	Coil	1
G	Aluminium filters(1806A)	2
H	Baffle filters(1803B)	3
I	Easy installation bracket for frameless cabinet	2
J	Easy installation bracket for framed cabinet	2
AA	#8 X 5/8" Flathead Wood Screw	6
BB	#8 X 3/8" Pan Head Machine Screw	14
CC	#8 X 1/2" Pan Head Wood Screw	11
DD	Drywall Anchor	2
EE	1-3/16" Drywall Anchor Screw	2

1 Installation Instructions

This installation is for mounting the product to the bottom of the cabinet . Please consult your professional installation specialist regarding the best type of mounting to suit your cabinets construction . Please be sure to read the entire instructions prior to installation.

- Begin installation by removing the baffle filters from the bottom of the range hood, removing any tape on the air flow flappers.
- Determine location of power outlet or hardwire connection. You will need to create a cut-out hole on the bottom of the cabinet for the power cord. Prior to mounting the range hood, the power cord will be fed through the cut-out hole. For hard-wired installations choosing the rear exit for power, this cut-out hole is not required (see Power cord option for Hard Wired Models).
- For Ducted Installations Only:
 - a. Measure the location where the duct (B or D) will enter the bottom of the cabinet or the wall for rear ducting.
 - b. Drill/cut out the required openings using a sabre saw or jigsaw for the duct; make sure the duct opening is large enough accommodate ducting and to apply duct tape.
 - c. The cutout can be larger than the duct (B or D) dimension to allow room for ducting and duct tape.

Prior to creating cut-outs , please verify the accuracy of your dimensions with a tape measurer and consult with a professional installation specialist.

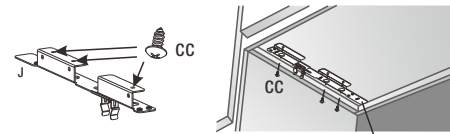
There are two options for installing the range hood to the bottom of your cabinet:

- 1 Patented One-Person Easy Installation Method for Framed and Frameless Cabinets.
- 2 Traditional Method for Framed and Frameless Cabinets.

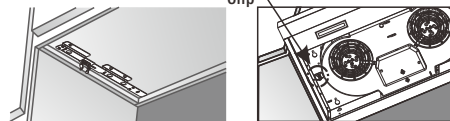
2 Option One for Framed Cabinets

- Install the easy installation brackets (J) under the cabinet on each side. The brackets will be labeled Left (L) Right (R) Front (F) Back (B).
- Insert and screw in the (3) #8 X 1/2" wood screws (CC) as shown below to each bracket. You may choose to drill a starter hole.

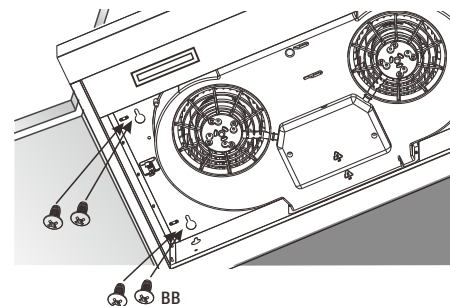
NOTE : Cabinet constructions will differ, ensure the length of the screw is appropriate for the depth of the bottom of your cabinet. Shorter screws may be needed to ensure you do not screw through the base of the cabinet.



- Raise and align the top of the range hood to the spring clips as shown below. Snap the range hood into the spring clip. This will suspend the range hood until final installation. Be sure to place the power cord through the bottom of the cabinet.

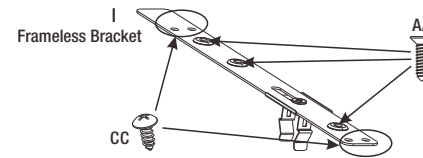


- For final securing of the range hood to the bottom of the cabinet, screw in (4) of the #8 X 3/8" machine screws (BB) to each of the easy installation brackets as shown below.

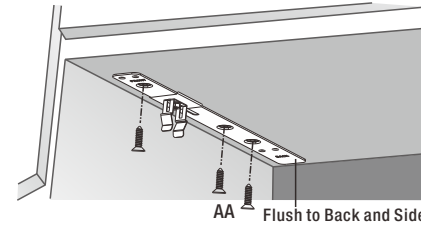


3 Option One for Frameless Cabinets Cont

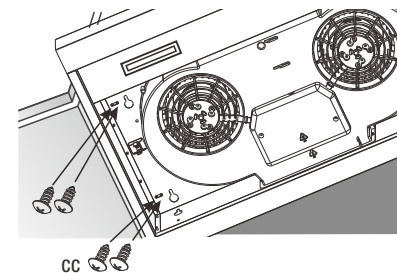
- Install the two easy installation brackets (I) to each side of the cabinet as shown below using the #8 X 5/8" screws (AA) (cabinet constructions will differ, ensure the length of the screw is appropriate for your cabinet construction).



- The easy installation brackets (I) under the cabinet on each side. The brackets will be labeled Front (F) Back (B). Insert and screw in the (3) #8 X 5/8" screws (AA) as shown below. You may choose to drill a starter hole.



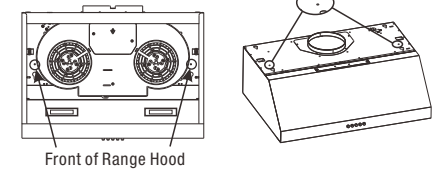
- Same as step 2 for framed cabinet.
- For final securing of the range hood to the bottom of the cabinet, screw in (4) of the # 8 X 1/2" wood screws (CC) to each of the easy installation brackets to bottom of cabinet as shown below.



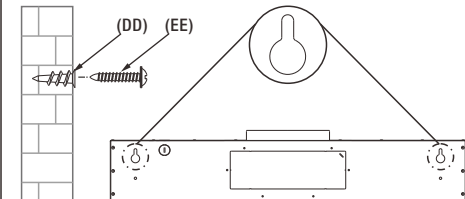
4 Option One for Frameless Cabinets Cont

- (Optional) You may wish to additionally secure the range hood by screwing in (2) #8 X 1/2" wood screws (CC) into the access hole as shown below to the bottom of the cabinet.

Bottom View



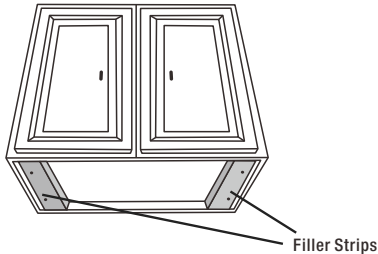
NOTE : (2) Drywall Anchor (DD) and (2) 1-3/16" Drywall Anchor Screw (EE). Optional use for securing range hood to wall if cabinet bottom is not stable enough to support range hood. Install drywall anchor into the wall, install drywall anchor screw mounted with range hood, screw into the drywall anchor. (Leave 1/4" space).



5 Traditional Method for Framed and Frameless Cabinets

NOTE: Hardware not provided for this assembly option. Consult with your professional installation specialist for what type of fasteners should be used for your cabinet construction.

- If cabinets have face frames with a recessed bottom, attach 2-3" wide wood filler strips to the underside of the cabinet bottom on each side. Be sure the width of the filler strip does not cover the power cord hole.
 - If you wish to use wider filler strips you will need to cut a hole in the filler strip to accommodate the power cord.
 - Secure filler strips to bottom of cabinet using screws (not supplied). The range hood will attach to the filler strips.
 - If you are not using filler strips due to your cabinet not having a face frame, you may choose to use shorter screws based on the depth of your cabinet bottom.

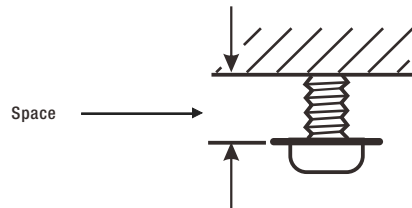


- Determining the fastener locations.
 - Temporarily remove the 3-1/4"X 10" rectangular or 7 in. round duct vent on top or back of range hood.
 - Temporarily position the range hood in the desired mounting location under the cabinet (this will require 2 people).

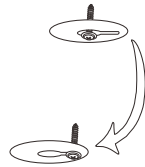
Mark the mounting holes with a pencil or marker at the center of the 4 mounting keyholes. You will mark the holes from underneath the range hood to the bottom of the cabinet. Leave a small gap between the range hood and the wall.

6 Traditional Method for Framed and Frameless Cabinets Continued

- After mounting holes have been marked, reassemble the 3-1/4"X 10" rectangular or 7 in. round duct vent to the range hood.
- Drill a starter pilot hole (make sure starter hole is not larger than the diameter of the screw) into the bottom of the cabinet for each of the mounting hole marks created in the step 2 b) in P 13
- Insert four screws (not supplied) into the holes marked in the step 2 b) in P 13. Do not screw all the way in. Leave a 1/4" or more space.

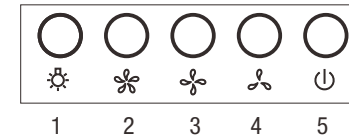


- Lift the range hood (2 people) and position so that the large opening of the mounting keyholes are over the screws. Please ensure you push the electrical cord through the bottom of the cabinet. Push the range hood up and gently towards the wall. The range hood should lock into the narrow portion of the keyholes and be secure for final installation.



- From underneath range hood finish tightening the screws from step 5. Use a level to ensure the range hood is balanced as you tighten screws.

Powering on/off the unit



- To turn the fan on push a button to select one of the 3 speeds:
 - 2=High
 - 3=Medium
 - 4=Low

If you choose a new speed by pressing a different button, the new fan speed will replace the old fan speed.

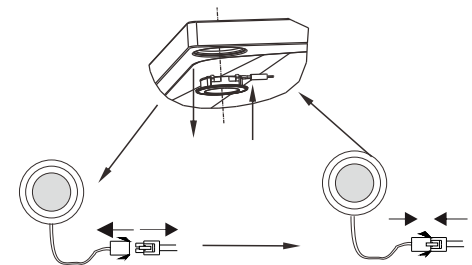
- To turn fan off push button 5.
- To operate light on/off push button 1 (Note: The fan and light operate independently of each other).

Maintenance

Replacing Filters

When filters need replacing, exchange with similar. Also replace filters that are damaged with punctures, bands, or broken frames.

- Turn off the range hood and disconnect the power.
- Replace with an equivalent filter, then reconnect the power.



Replacing LED Light

When LED light burn out, replace them with a 2W LED light.

- Turn off range hood, disconnect it from its power source, and ensure that the lights are cool.
- Take off the filters, and disconnected the LED light wire connection.
- Press the LED light cover according to the arrow direction, then take off the light unit.
- Replace a new LED light unit no more than rating!

WARNING: Failure to replace worn out or damaged filters will increase the risk of fire.

WARNING: Light bulbs can become hot when turned on. Do not touch bulbs until they are switched off and cooled. Touching out bulbs could cause serious burns.

DANGER: Turn off the power circuit breaker or the power switch on the junction box before performing maintenance. Touching circuitry inside the range hood while it is energized will result in death or serious injury.

Care and Cleaning

Range Hood



WARNING: Failure to maintain basic standards of care and cleaning of the range hood will increase the risk of fire.

The range hood should be cleaned (regularly internally and externally) to preserve its appearance and performance.

Do:

- Always clean in the direction of the grain (original polish lines).
- Clean the range hood periodically with hot, soapy water and a clean cotton cloth.
- Always rinse well with clean water two or three times after cleaning. Wipe completely dry with a soft non-abrasive cloth.
- After cleaning, you may polish with a non-abrasive stainless steel polish or cleaner. Always rub lightly and with the grain.
- Ensure that the venting system is free of debris, if you have one.

Do Not:

- Do not use corrosive or abrasive detergents, steel wool, or scouring pads. These will scratch and damage the stainless steel surface.
- Do not use any products containing chloride, fluoride, iodide, or bromide on this product, as they will deteriorate the surface rapidly.
- Do not allow cleaning compounds, salt solutions, disinfectants, or bleaches to remain in contact with the product for extended periods of time.
- Do not allow any deposits to remain for long periods of time on the range hood. Rinse with water immediately and wipe dry with a clean cloth.
- Do not let plaster dust or any other construction residue enter the hood. During construction or renovation, cover the hood.
- Combustible products used for cleaning such as acetone, alcohol, ether or benzol are highly explosive and should never be used close to a range or stove.

Filter

The filter fitted by the factory is intended to filter out residue and grease from cooking. You do not need to replace them on a regular basis, but you should keep them clean.

Do:

- Clean the filter once a month using non-abrasive detergents, either by hand or in the dishwasher. When using a dishwasher, set the dishwasher to a low temperature and a short cycle setting. The filter may become discoloured in the dishwasher, but this does not affect its performance.
- Allow filters to completely dry before re-installing them in the range hood.

Do Not:

- Do not allow oil to accumulate over more than 80% of the filter surface. Oil accumulations may drip oil onto the range.
- Do not wash charcoal filter. The charcoal filter should be replaced when it is covered in grease and has reached its maximum absorbency.

Troubleshooting



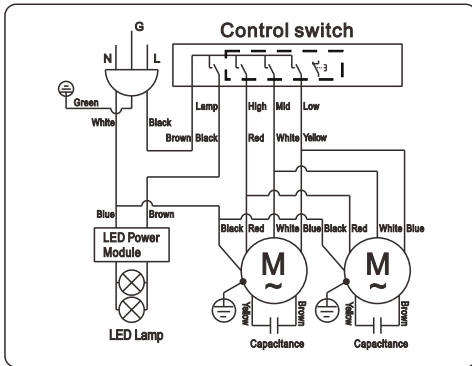
DANGER: Turn off the power circuit breaker or the power switch on the junction box before performing maintenance. Touching circuitry inside the range hood while it is energized may result in serious injury or death.

Problem	Solution
The range hood will not operate.	<ul style="list-style-type: none"> - Check that the power supply cable and all electrical wiring are properly connected. - Check that the power is turned on at the junction box or circuit breaker. - Check that the wiring between the switch control and the control board are connected properly.
The range hood vibrates when the fan is operating.	<ul style="list-style-type: none"> - Check that the range hood has been secured properly to the wall. Tighten into position, if necessary. - Check that the motor is secured in place. If not, then tighten the motor in place. - Check that the fan is not damaged. If so, replace the fan.
The fans seem weak.	<ul style="list-style-type: none"> - Check that the duct size used is at least 152mm (6 in) round. The range hood will not function efficiently with insufficient duct size. - Check that the duct is not clogged with debris and the tight mesh on the wall cap, if applicable, isn't restricting air flow. - Check that the damper unit is opening properly. - Check that no birds or animals have nested in the duct.
The lights work, but the fan is not spinning, is stuck or is rattling.	<ul style="list-style-type: none"> - The thermal protection system detects if the motor is too hot to operate and shuts the motor down. In this case, the motor will function properly after the thermal protection system cools down (after approximately 10 min). - Check that the fan isn't jammed or scraping the bottom. - If nothing else works, the motor may be defective or seized. If so, replace the motor.
The range hood is not venting out properly.	<ul style="list-style-type: none"> - Check that no birds or animals have nested in the duct. - Check that the distance between the cooktop and the bottom of the range hood is between 650mm (25.6 in) and 700mm (27.6 in). - Check that duct work follows all requirements. Use round metal duct work with a uniform diameter of 153mm (6 in). The length of duct work must not exceed 35 ft (10.7m). Reduce the length of duct work and the number of elbows if necessary. Ensure that all joints are properly connected, sealed, and taped. - Check that the duct does not open against the wind. - Ensure that the power is on high speed for heavy cooking. - Close all windows nearest to the range hood to eliminate sudden air gusts. - To enhance the performance of the range hood, open slightly a window on the opposite side of the house where the range hood vents outdoors.
A light does not work.	<ul style="list-style-type: none"> - Check to see if LED light's wire connection is loose. If so, tighten. - Have the new LED light ($\leq 2W$) assembly replaced.

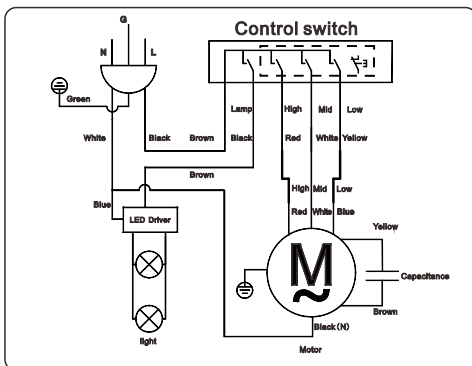
Specifications

Model	Dimensions	Rating	Control Type	Speeds	Air Flow	Light Wattage	Venting Options	Motor Power	Total Power
RH803B(30'')	757mm(29.8in) W	120V~60Hz 2.5A	Push Button	High	800	2x2W LED	Inside venting Outside venting	300W	304W
	460mm(18.1in) D			Medium					
	176mm(6.9 in) H			Low					
RH806A(30'')	757mm(29.8in) W	120V~60Hz 1.4A	Push Button	High	500	2x2W LED	Inside venting Outside venting	165W	169W
	457mm(18.0in) D			Medium					
	130mm(5.1 in) H			Low					

Wiring Diagram



RH803B(30'')



RH806A(30'')