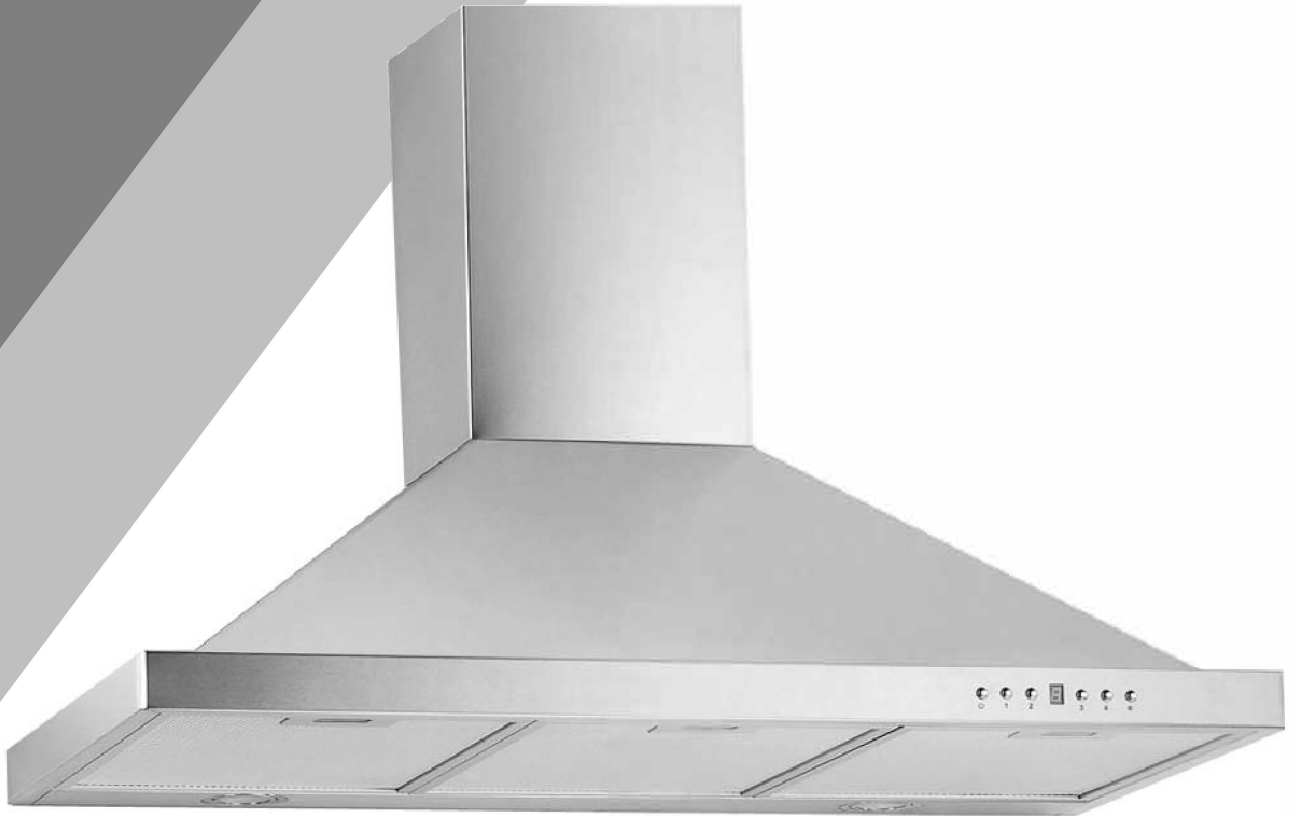


# Installation Guide and Users Manual



**IMPORTANT:**  
Read and save these instructions.

**NOTICE:**  
**Installer:** Leave this guide with the homeowner  
**Homeowner:** keep this guide for future reference

  
**BLUE OCEAN®**

## **CONTENTS**

SPECIFICATIONS .....	1
CAUTION .....	2
TOOLS NEEDED .....	2
1. INSTALLATION .....	3
2. WALL-MOUNTED RANGE HOOD INSTALLATION.....	3
3. ISLAND COOKER HOODS INSTALLATION .....	3
4. OPERATION.....	4
5. MAINTENANCE .....	5

## **SPECIFICATIONS**

<b>Body</b>	<b>Brush Stainless Steel</b>
<b>Power Rating</b>	<b>240V/50HZ or 110~120V/60HZ</b>
<b>Motor Input Power</b>	<b>170 W</b>
<b>Maximum Air Flow</b>	<b>760</b>
<b>Noise Level</b>	<b>Lower than 65dB</b>
<b>Motor Type</b>	<b>Duel Chamber Ultra Quiet</b>
<b>Fan Type</b>	<b>Metal fans coated with teflon</b>
<b>Filtration Type</b>	<b>5-layer Aluminum filter</b>
<b>Venting Size</b>	<b>150mm (6 inches round)</b>

# **READ AND SAVE THESE INSTRUCTIONS**

## **CAUTION:**

FOR GENERAL VENTILATING USE ONLY. DO NOT USE TO EXHAUST HAZARDOUS OR EXPLOSIVE MATERIALS OR VAPORS.

**This appliance must be installed by a qualified technician. The manufacturer declines all responsibility in case of failure to adhere to safety standards. Ensure that exhausted air not directed into flue that is uses for venting fumes from other appliances.**

## **WARNING**

**To reduce the risk of fire, electric shock, or injury to persons, observe the following:**

1. Use this unit only in the manner intended by the manufacturer.
2. Before servicing or cleaning the unit switch power off at service panel and lock service panel disconnecting means to prevent power from being switched on accidentally. When the service disconnecting means cannot be locked securely fasten a prominent warning device to the service panel.
3. Installation work and electrical wiring must be done by qualified persons in accordance with all applicable codes and standards, including fire-rated construction.
4. Sufficient air is needed for proper combustion and exhausting of gases through the flue of fuel burning equipment to prevent back drafting. Follow the heating equipment manufacturer's guideline and safety standards as published by the local code authorities.
5. When cutting or drilling into wall or ceiling, do not damage electrical wiring.
6. Ducted ventilation systems must always be vented to the outdoors.

## **CAUTION:**

To reduce risk of fire and to properly exhaust air, be sure to duct air outside - do not vent exhaust air into spaces within walls, ceilings, attics, crawl spaces, or garages.

## **WARNING**

**TO REDUCE THE RISK OF FIRE, USE ONLY METAL DUCT WORK.**

Install this hood in accordance with all requirements specified.

## **TOOLS NEEDED TO INSTALL THE RANGE HOOD**

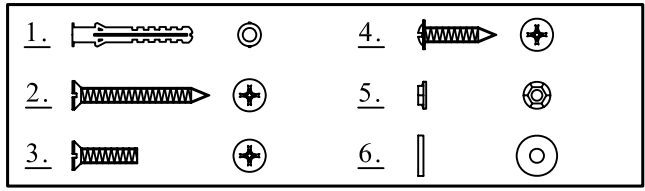
- Cross screwdriver.
- Pair of long nose pliers (to open the horizontal or vertical discharge knockout hole)
- Hammer and flat blade screwdriver (to open the electrical knockout hole)
- Sheet metal sheers
- Pair of pliers
- Scissors (to cut duct tape)
- duct tape
- Pen

## **BEFORE INSTALLING THE HOOD**

1. For the most efficient airflow exhaust use a straight run or as few elbows as possible. Vent unit to the outside only.
2. Two people are required for installation

# INSTALLATION

- The range hood should be mounted at a distance of 650-750mm from the cooking surface for safety & optimum performance (If the instructions for installation of the gas hob specify a greater distance, this has to be taken into account.) (see pic1). That exhaust air must not be discharged into a flue which is used for exhausting fumes from other appliances burning gas or other fuels.
- This item should be fitted by a Competent person or fitter who should only use the right screw fixing where applies.
- Ensure that the ceiling to be mounted on is sufficiently sturdy to handle the weight of the hood.
- Check that the hood is level and that it does not vibrate excessively when in operation.
- Do not connect to a common vent with other appliance such as gas heater, water heater, laundry dryer etc.
- Check to make sure that the electric chord is not in contact with sharp edges of the appliance.
- Check to make sure that the electric chord is not in contact with sharp edges of the appliance.
- Be sure that the plug is accessible after installation.



## Installation drawing: for wall mounted range hood.

- To install, drill 2 holes of Ø8mm on a sturdy wall and in line with the hood.  
 - Insert expanded screws into the hole.  
 - Fix drilling template on the wall.

- Attach the duct to the one way valve, and connect it to the kitchen outlet vent.  
 - Insert the outer funnel (alternative part). Make sure it's firmed.

- Mount the bracket and insert the inner funnel. Use screws to fix it.

## Installation drawing: for Island cooker hoods

- Adjust the brackets to the desired height.  
 - Install the duct on the air outlet.

- Lift up the hood and mount the ceiling frame to the ceiling ensuring that it is sturdy enough to handle the weight of the hood. The connect the power supply and ducting system

- Slide the inner flue upwards slowly & carefully to avoid scratch. Secure the position with two screws onto the ceiling frame.

# OPERATION

## Button functions

- Power: Power ON/OFF the range hood and activate power-off delay timer.
- Light: Turns ON/OFF and dim halogen lights.

## Blower Speed Indicator

Shows current blower (motor) speed (1-3 or 1-4).

- Low speed – light frying/boiling.
- Medium speed – frying/wok cooking/heavy boiling.
- High – grilling, intensive frying and wok cooking.

## Controls

Adjusting the blower (motor) speed.

Press Power button once to turn on the system.

Press the speed buttons for the increased/decreased speed.

The Blower Speed Indicator shows the blower(motor) speed level. Next to the speed button selected will increase the speed of the blower (motor) from 1 to 3 or 4 (quietest to strongest).

## Adjusting the timer function

Turn the hood on at any speed ,press the Power-Off Delay button to enter timer mode . A " 8 " flashes in the display,Power-Off Delay Digital Timer begin to countdown,After approx. 3 minutes when it reaches zero, the blower (motor) will shut down.

## Adjusting the light

Press Light button once to turn on the lights, and once again to turn off the lights.

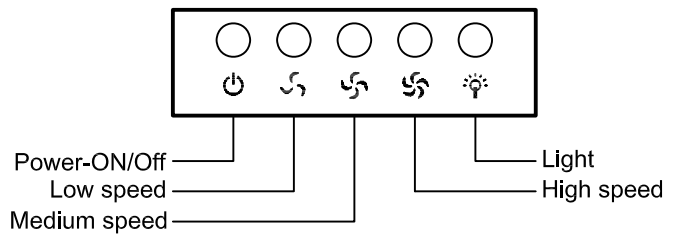
## INSTRUCTION

Aside are the 2 types of LCD modules, From right to left the func-tion is **K1** power (power-off delay), **K2** light, **K3** reduce speed, from high to low, K4 add speed from low to high.

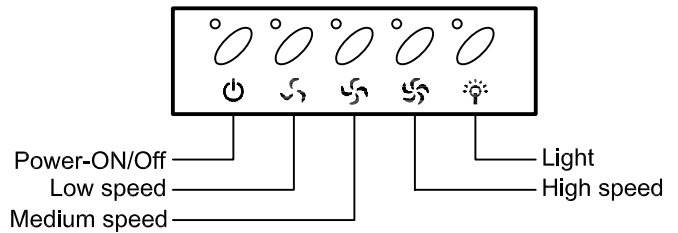
## FUNCTION DESCRIPTION

1. **K1** Power key: press frst,motor works, press again,then it'll into timer, you can adjust timer used by **K3** & **K4**. If the moto not work,then it should turn off absolutely, press power key at least 2 seconds, it turns to adjust timer, **K3** as reduce,and K as add accordingly.
2. **K2** Light key: absolute independent with other function,press frst,it turns on,or it ttums off.
3. **K3** Key for decrease speed: it can be adjust speed grade,clock,and timer to lower than original.
4. **K4** Key for increase speed:it can be adjust speed,clock, and timer to higher than original.

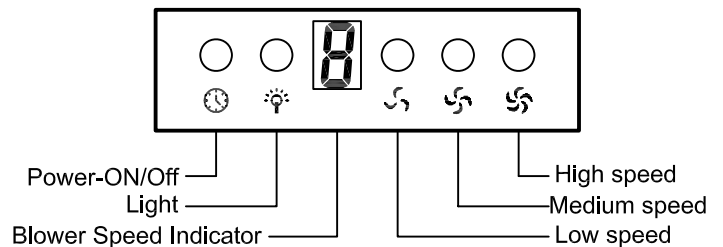
## 1) Mechanical type control panel



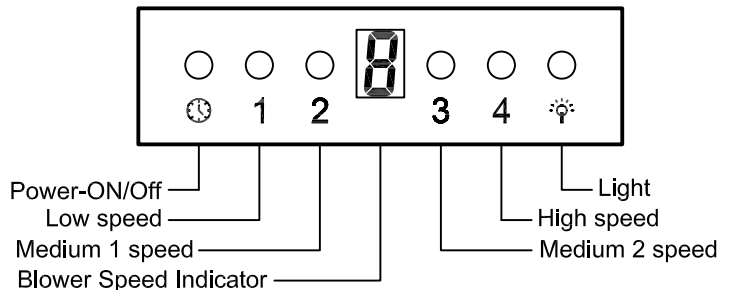
## 2) Electronic type control panel



## 3) LED type control panel



## 4) LED type control panel



## 5) LCD type control panel



## 6) Sensor touch type control



# MAINTENANCE

## SAFETY WARNING: Never put your hand into area housing the fan while the fan is operating!

For optimal operation, clean range hood and all baffle/spacer/filter/grease tunnel/oil container regularly. Regular care will help preserve the appearance of the range hood.

### Cleaning Exterior surfaces

Clean periodically with hot soapy water and clean cotton cloth. Do not use corrosive or abrasive detergent (e.g. Comet . Power Scrub., EZ-Off. oven cleaner), or steel wool/scoring pads, which will scratch and damage the stainless steel surface. For heavier soil use liquid degrease such as "Formula 409." or "Fantastic." brand cleaner. If hood looks splotchy (stainless steel hood), use a stainless steel cleaner to clean the surface of the hood. Avoid getting . cleaning solution onto or into the control panel. Follow directions of the stainless steel cleaner.

**CAUTION:** Do not leave on too long as this may cause damage to hood finish. Use soft towel to wipe off the cleaning solution, gently rub off any stubborn spots. Use dry soft towel to dry the hood.

After cleaning, you may use non abrasive stainless steel polish such as 3M. . or ZEP., to polish and buff out the stainless luster and grain. Always scrub lightly, with clean cotton cloth, and with the grain.

**DO NOT** allow deposits to accumulate or remain on the hood.

**DO NOT** use ordinary steel wool or steel brushes. Small bits of steel may adhere to the surface and cause rusting.

**DO NOT** allow salt solutions, disinfectants, bleaches, or cleaning compounds to remain in contact with stainless steel for extended periods. Many of these compounds contain chemicals, which may be harmful. Rinse with water after exposure and wipe dry with a clean cloth.

### Cleaning Aluminum Grease Filter / Stainless Steel Filterless Grill

**IMPORTANT:** Drain oil from oil containers before oil and residue overflow!

The metal filters fitted by the factory are intended to filter out residue and grease from cooking. It need not be replaced on a regular basis but are required to be kept clean.

Filters should be cleaned after every 30 hours of use.

Remove and clean by hand or dishwasher. Spray "Formula 409 " or equivalent degreasing detergent and leave to soak if heavily soiled. Dry filters and re-install before using hood.

### Replacing Filters

Should filters wear out due to age and prolonged use, please contact your local reseller for replacement filters.

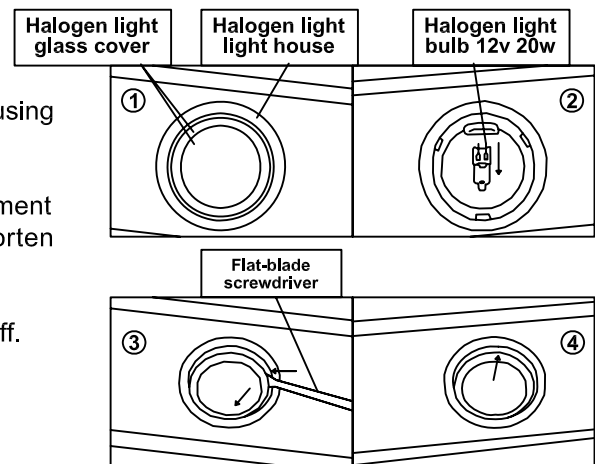
**Note: Also replace damaged filter that has punctured or broken mesh, bent or broken frame.**

### REPLACING THE LIGHT BULB:

This range hood uses halogen bulb: 20W 12V~.

Make sure the range hood is unplugged or turn OFF breaker.

1. Place a flat-head screwdriver between light cover and housing to remove cover.
2. Gently pull defective bulb straight out and discard.
3. Wear a cotton glove or use a cloth to handle the replacement bulb (DO NOT handle with barefingers as this may shorten the life of the bulb).  
Push gently but securely into light socket.
4. Replace light cover.  
Turn ON breaker and range hood to test for operation.



### REPLACING LED LIGHT

This range hood uses LED light:2W 12V

Make sure the range hoods is unplugged or turn **OFF** breaker.

1. Careful open grease filters,find the white plug which connect with LED light,puil it out.
2. Careful pull LED light out.install a new LED light and reverse the steps.
3. Turn ON the breaker and the range to test for operation.

