

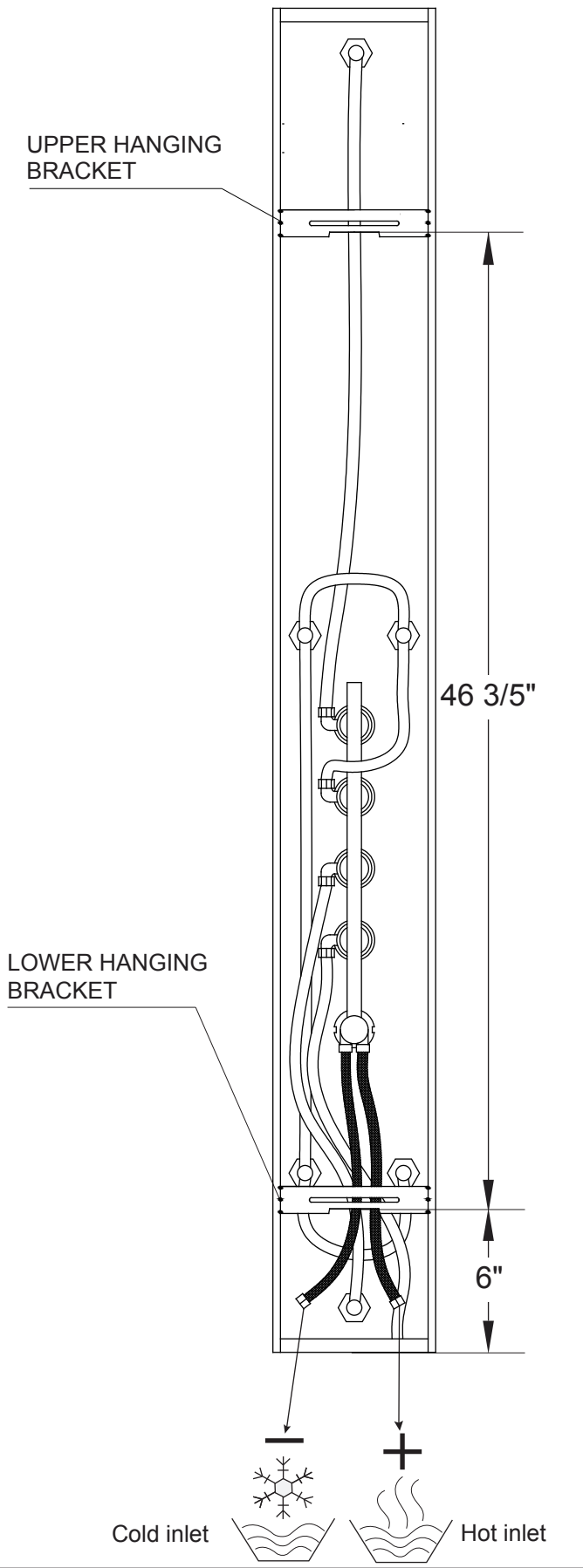
SPS8819

INSTALLATION GUIDE



BLUE OCEAN[®]

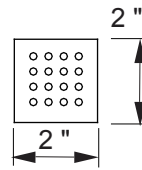
Back View



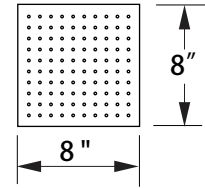
Measure the distance from the upper fixing hanger to the lower fixing hanger. The dimensions are for your reference only.

Dimensions

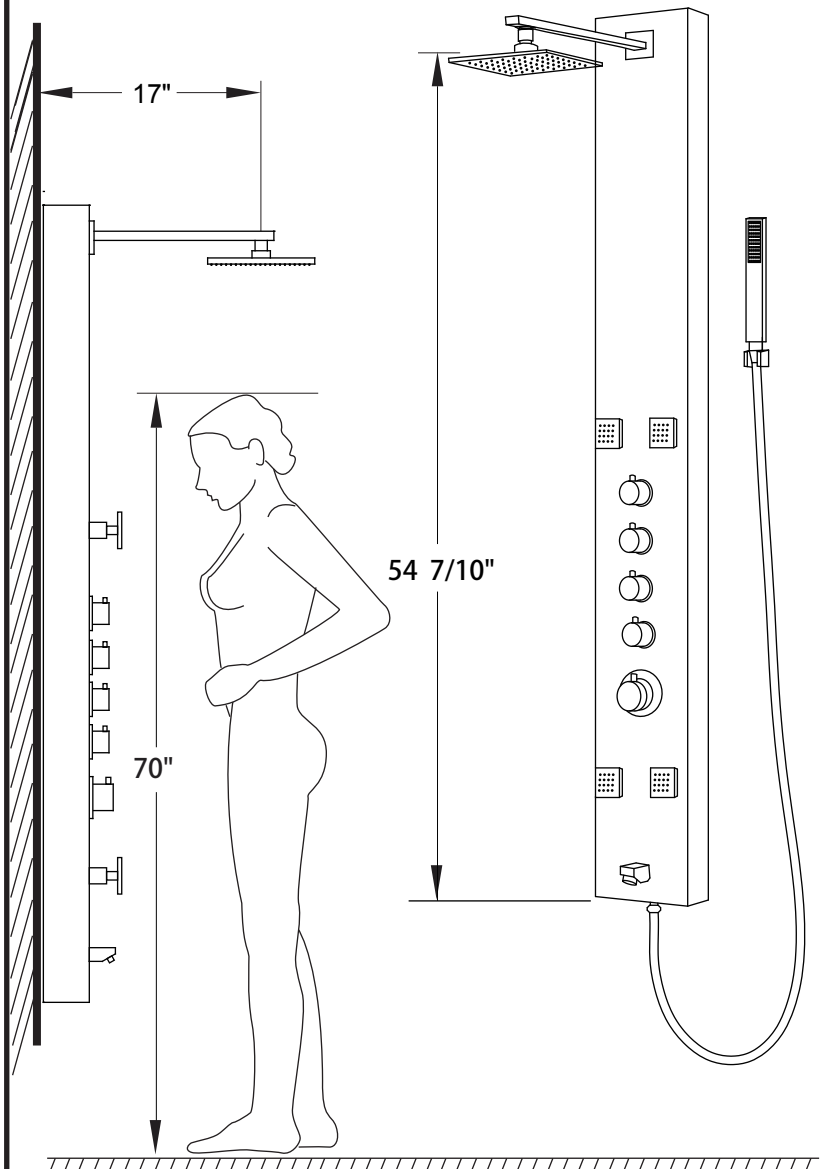
Choose a suitable place to install the shower panel, adjust the shower panel's vertical position based on the user's height and your sanitary room. Usually, install the panels at the distance of 82 3/5" from the top to the ground, but you can assemble according to your preference.



MASSAGE JET



SHOWERHEAD



Note!

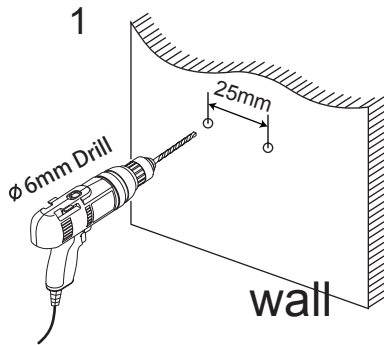
The height can be altered to suit individual requirements. The dimensions are for reference only.

Note! Most of shower panels not only can be mounted on the tile, marble or other flat wall, but also can be mounted against the wall corner.

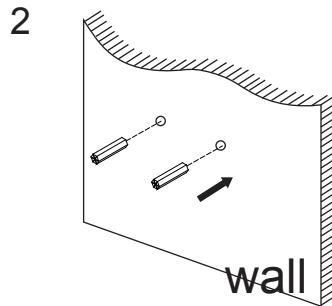
Your item may appear slightly different from the illustration

Wall-mounting

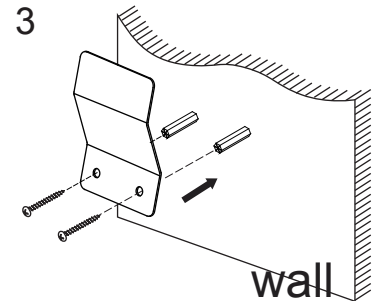
Note! Before drilling any holes for fixing your shower panel ensure that there are no hidden cables or pipework within the wall.



Drill the holes in the wall

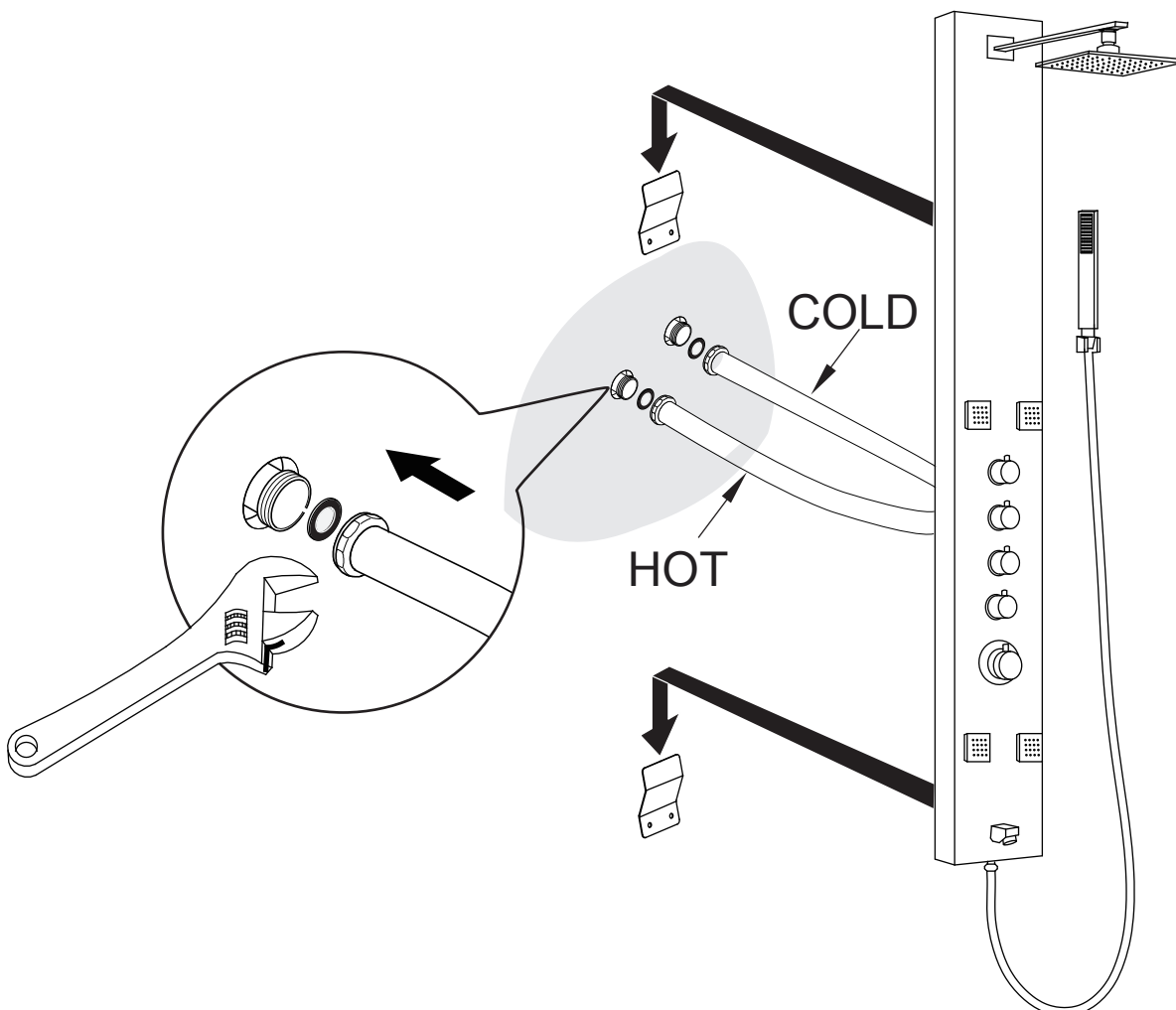


Insert the wall plugs inside the holes



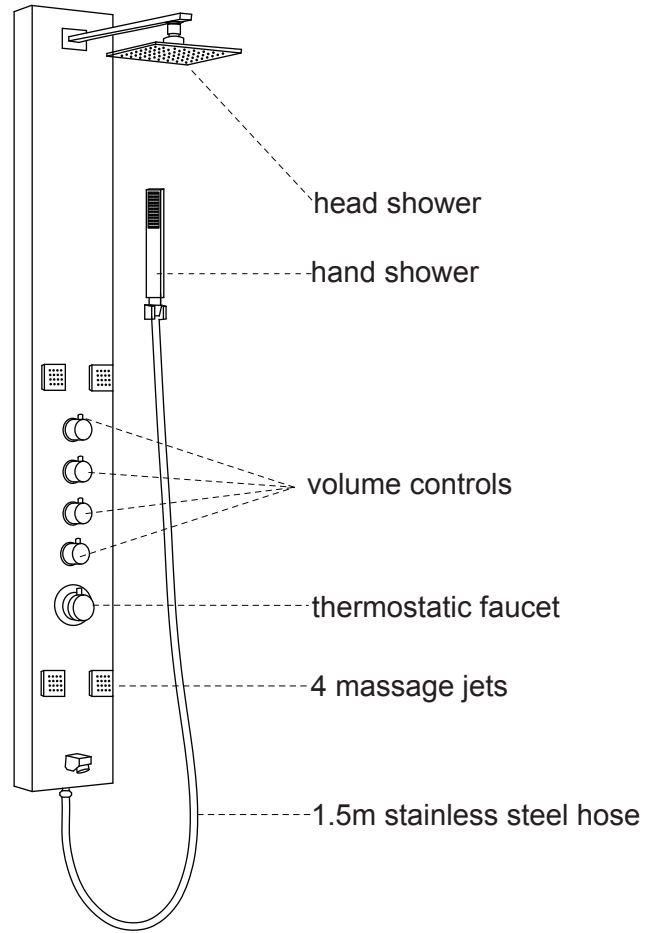
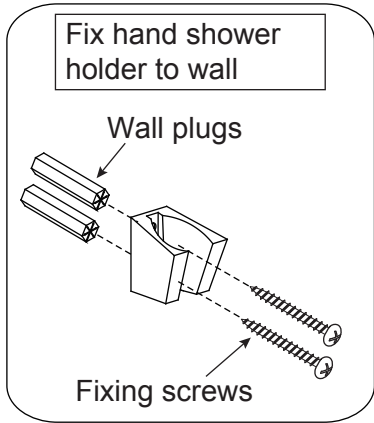
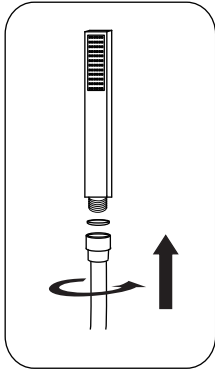
Tighten the screws to the wall with wall mounting brackets

Hang the shower panel on the mounting bracket



Note! The shower panel is for indoors use only. For outdoors use please refer to the outdoors shower panel series.

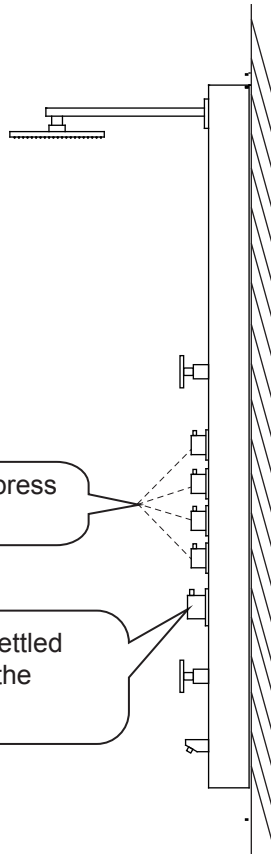
Don't forget to place the Teflon Tape and rubber washer when it is necessary or it might cause water leakage.



Operation

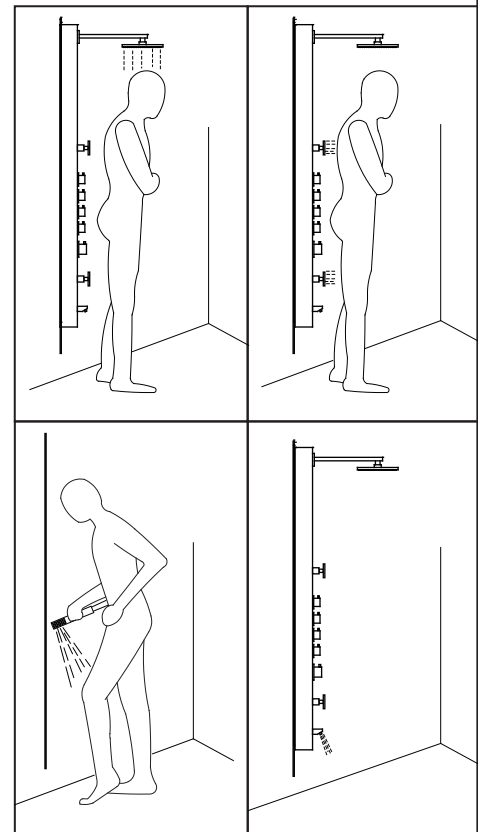
Technical data

- Minimum working pressure 11.6 PSI
- Maximum working pressure 72.5 PSI
- Recommended operating pressure 21.75 PSI - 43.5 PSI
- Test pressure 145 PSI
- Safety stop 38°C
- Flow rate 2.5GPM



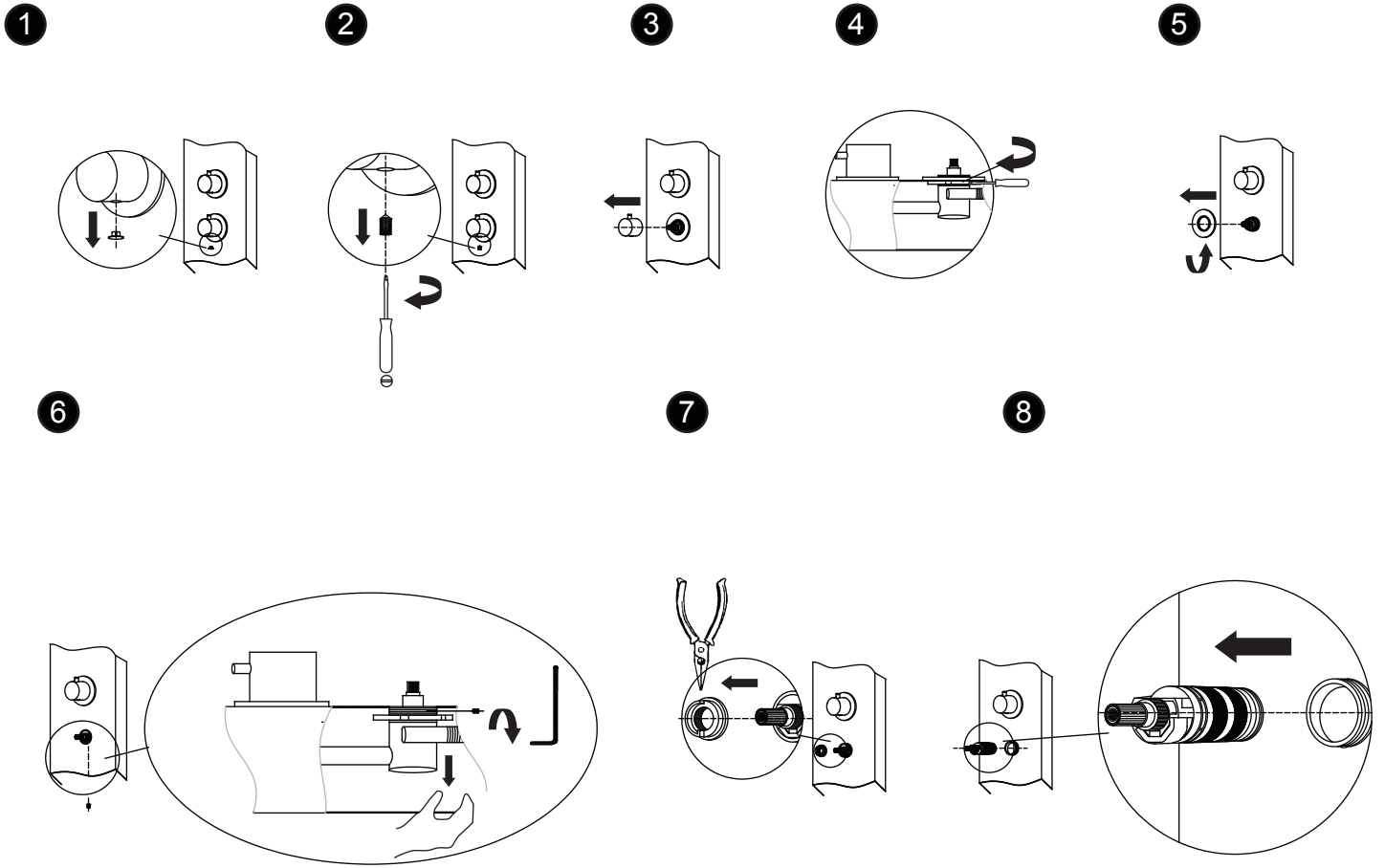
Select the shower function by press the control knobs

The temperature has been pre-settled at a safe temperature 38°C with the safety push button to 38°C.



Note! If the safety push button has been operated, it is important that it is returned to its original position(38°C) in order to prevent the next shower user from accidental scalding if the temperature is too high.

Thermostatic valve removal process



Thermostatic valve installation process

