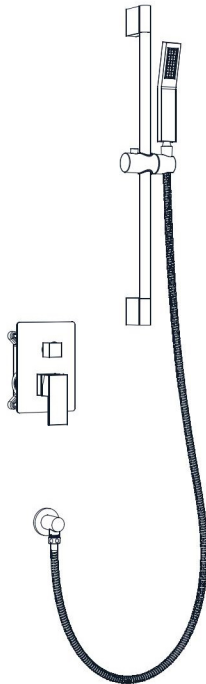




**Blue Ocean® Modern Shower System**  
Installation and User Manual



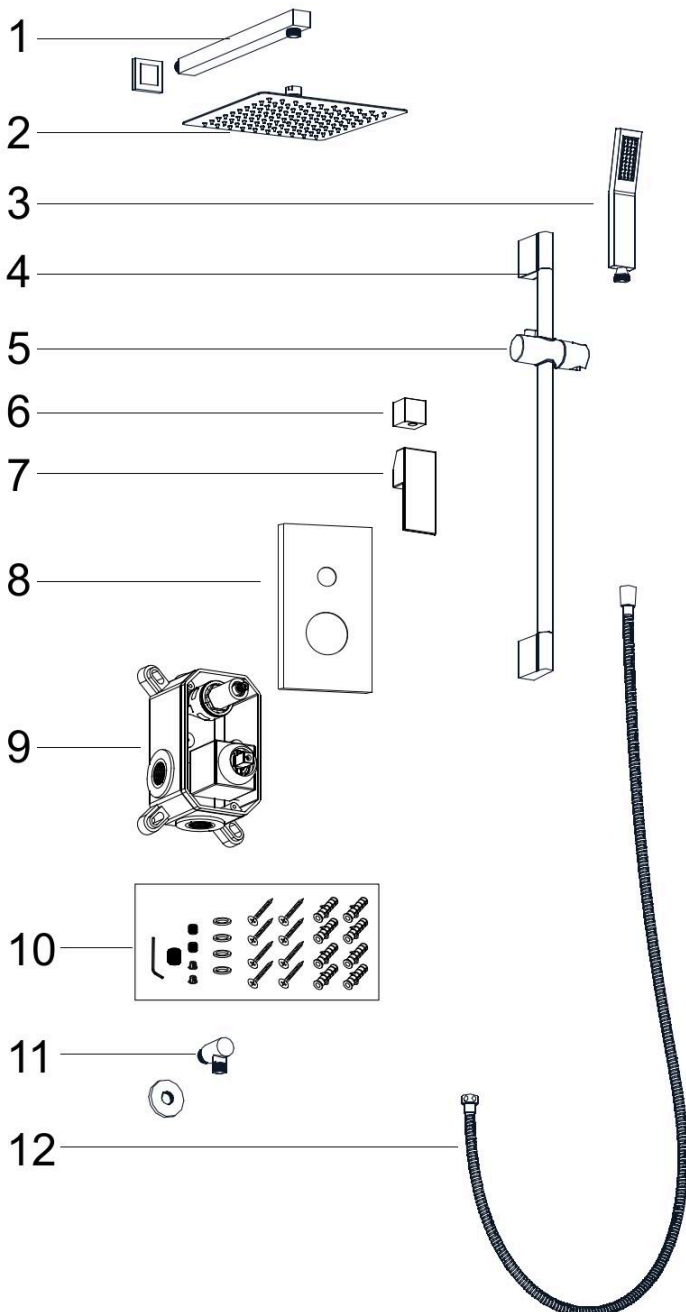
Model: CSF-240019M-4

Please read this manual carefully before using the product and keep it in a safe place for future reference.

# I. Standard Parts List

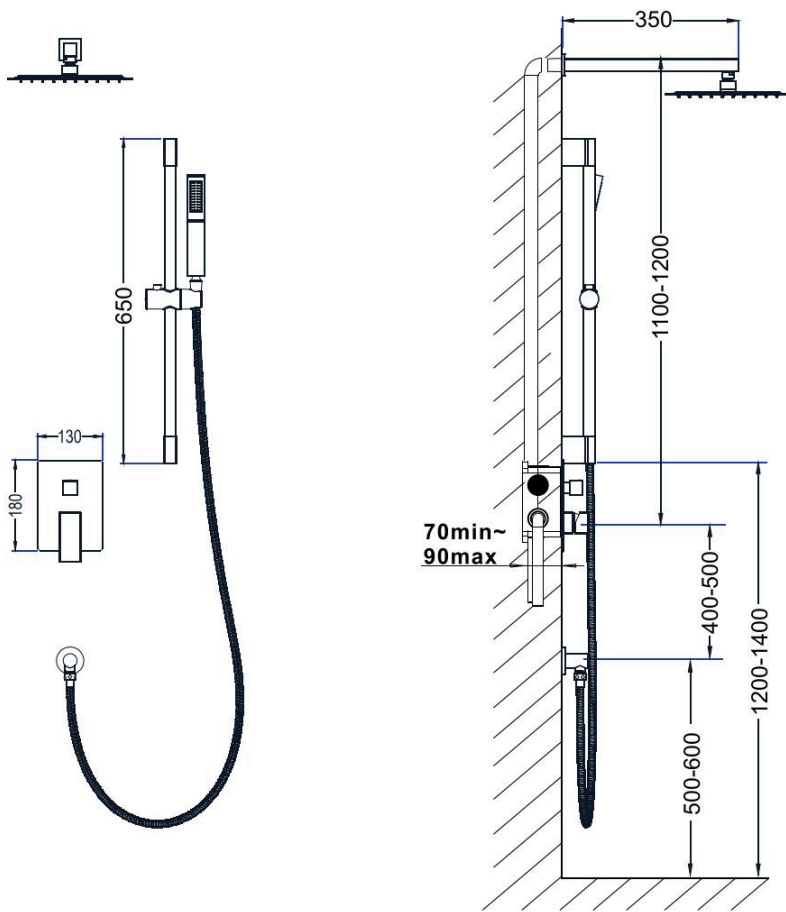
Upon opening the product package, please check the spare parts against the illustrated accessories. In case of any discrepancy, contact our distributor immediately.

**Note:** Accessories may be modified without prior notice if such modifications do not affect product functionality. The actual product appearance shall prevail, and schematic diagrams are for reference only.



Standard Parts List for Two-Function Models (2A0019M-4)		
Item No.	Name	Quantity
1	Shower arm	1
2	Top shower	1
3	Hand Shower	1
4	Lifting rod	1
5	Hand shower holder	1
6	Knob	1
7	Handle	1
8	Cover	1
9	Concealed Faucet Box	1
10	Accessory Kit	1
11	Connector	1
12	Shower Hose	1

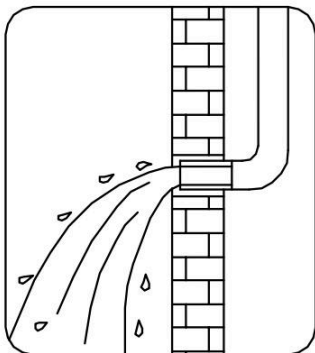
## II. Installation



## III. Installation Steps

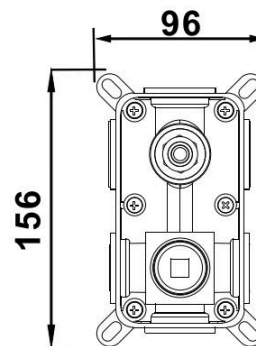
### 1. Clean the Piping Before Main Body Installation

Thoroughly clean the water pipes to prevent faucet blockage and ensure normal operation.



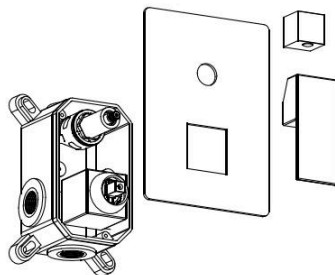
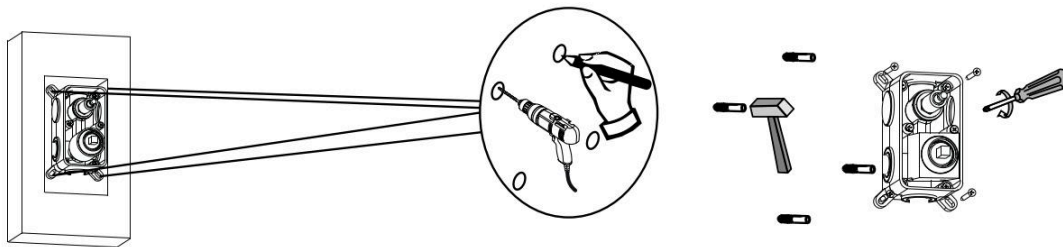
### 2. Cut a Recess in the Wall

Cut a proper recess according to the dimensions of the faucet main body and the intended usage height for placing the main body (dimensions: 110×170×70min~90max mm).



### 3. Install the Concealed Shower Main Body

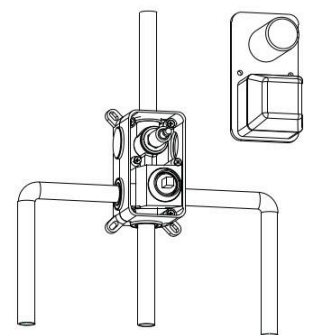
- ① Place the main body into the recess and mark the positions of the screw holes on all four sides with a marker.
- ② Drill holes at the marked positions on the wall with a Ø6 drill, with a hole depth of 40mm.
- ③ Drive the plastic wall anchors into the drilled holes.
- ④ Place the pre-embedded box into the recess and **adjust it to a level position** (critical before tightening screws).
- ⑤ Use a Phillips screwdriver to pass the screws through the screw holes of the main body and tighten them into the plastic wall anchors in the wall.



The pre-embedded box must be adjusted to a level position before tightening the screws

### 4. Pressure and Sealing Test

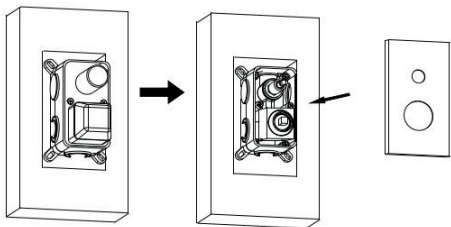
- ① Wrap Teflon tape around the water inlet threaded connectors of the pre-embedded box main body.
- ② Pre-embed standard water inlet/outlet threaded pipes according to the specified dimensions and ensure the two water inlets are on the same horizontal plane.
- ③ Connect the corresponding water outlet and inlet pipes in accordance with the labels affixed to the concealed main body, then remove the top cover of the pre-embedded box.



- ④ Conduct a pressure and sealing test on the piping (**recommended test pressure: 3.5Mpa**) to ensure no water leakage.
- ⑤ Open the diverter valve cores for the top shower and hand shower separately to check for leakage at all water outlet pipe connections.
- ⑥ After the sealing test is passed, refit the top cover of the pre-embedded box in its original position.  
(Hot water inlet pipe / Cold water inlet pipe)

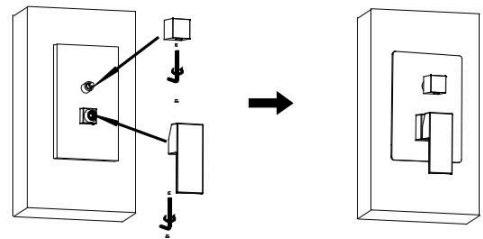
## 5.Tile Laying and Panel Installation

After the pre-embedded box is installed properly, lay the wall tiles, then remove the top cover of the pre-embedded box and mount the panel cover in place.

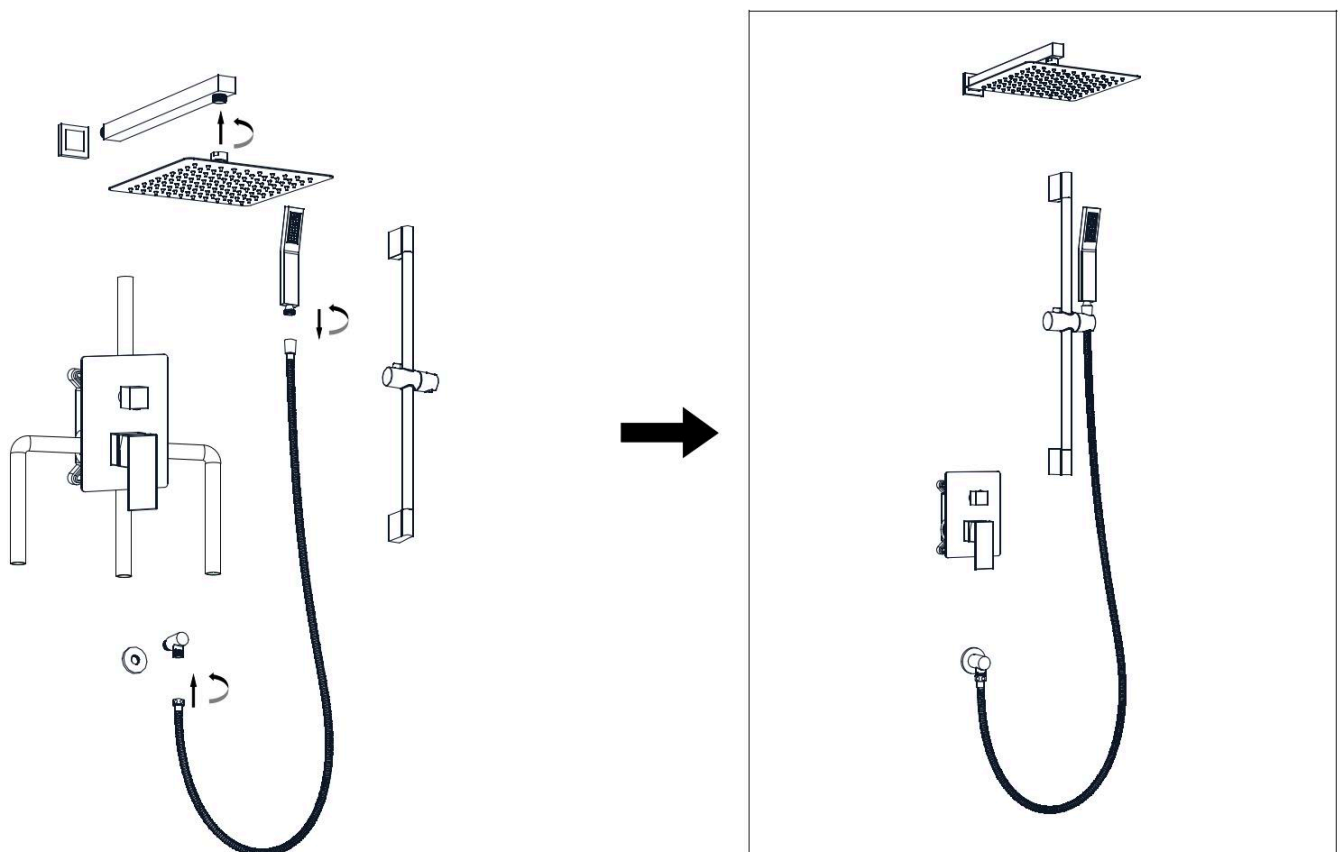


## 6.Install the Knob and Handle

Fit the knob and control handle onto the corresponding positions as required.



## 7.Install the other parts at the designated height and positions





**BLUE OCEAN<sup>®</sup>**

Where Innovation Meets Home



**The Home Budget Houseware Inc.**  
8112 Winston St, Burnaby, BC V5A 2H5, Canada  
[support@thehomebudget.ca](mailto:support@thehomebudget.ca)